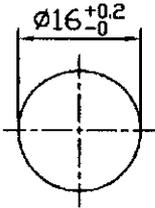
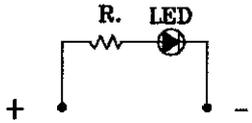
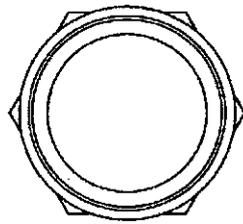
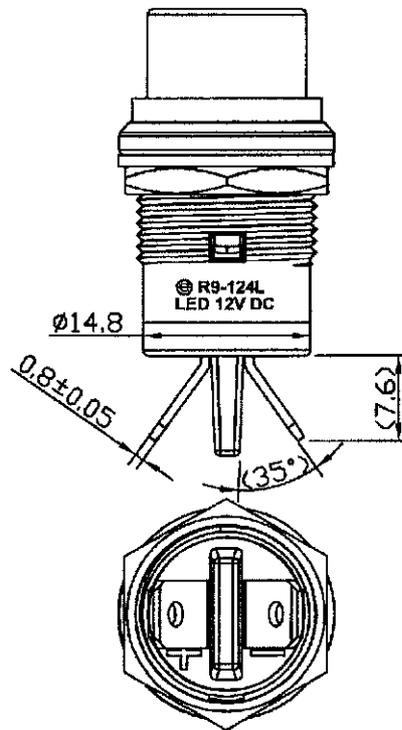
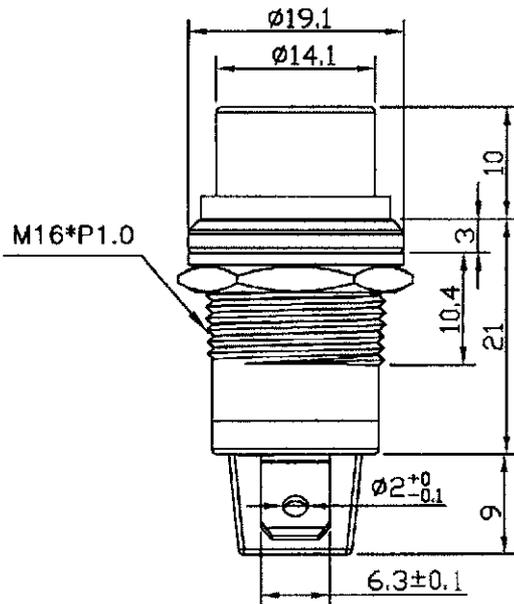


Rating	12V DC		
Insulation Resistance	DC 500V 100M Ohm Min.		
Dielectric Strength	AC 1000V 1 Minute		
Operation Temperature	-20°C~+85°C		

LED Color	LED Lens Color	Vf	If	Iv(mcd)	View Angle
Green	White Diffuse	3.7V	20mA	700	100°



Material
 Lens: PMMA, Green
 Body And Base: PBT
 Terminal: Nickel Plated Brass
 Nut: Nickel Plated Zinc Alloy



For CEI Only
 Tolerances Unless Otherwise Specified ± 0.3

D\R9\R9-124LB1-01-GG

						△	
						△	
						NO	
Date	Name	Description					
Drawn	Checked	Approved	SCI BOM No.	1720496	Model Name	LED INDICATOR	
歐陽安	<i>[Signature]</i>		Customer No.		Model No.	R9-124LB1-01-BGG4	REV.
08/16/10	<i>[Signature]</i>		Unit	mm			0