
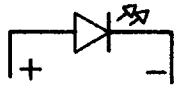
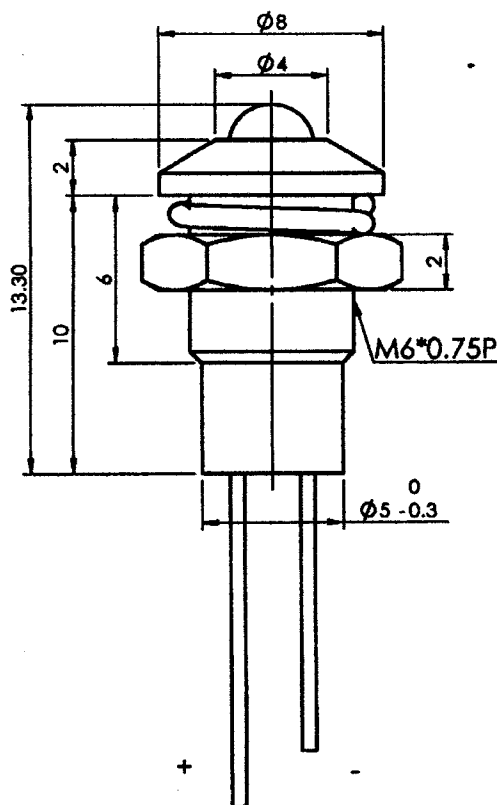
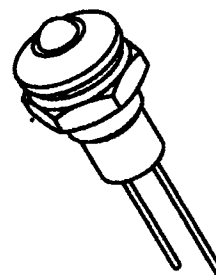


Led Color	Lens Color	VF	IF	Viewing Angle	Mcd	Mounting Hole	Circuit Diagram
Red	Red diffused	2.0V	20mA	50°	50	 Panel Thickness: 3.5 max	
Insulation Resistance		DC500V 100M OHM Min					
Dielectric Strength		AC500V 1Minute					
Operation Temperature		-25°C~+85°C					



Remark:  
1. LED Type:  $\phi 3\text{mm}$   
2. Unless Otherwise Specified  
All Tolerances To Be  $\pm 0.2$   
3. ROHS Compliant

Date	Name	Descriptions				$\triangle$ NO
Drawn	Checked	Approved	SCI No.	Model Name	LED Indicator light	
鍾運穎	研發部		Customer No.	Model No.	R9-103L-12-RD	
07.04.07	李元生		Unit	mm	SHIN CHIN INDUSTRIAL CO., LTD.	