
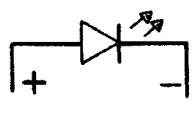
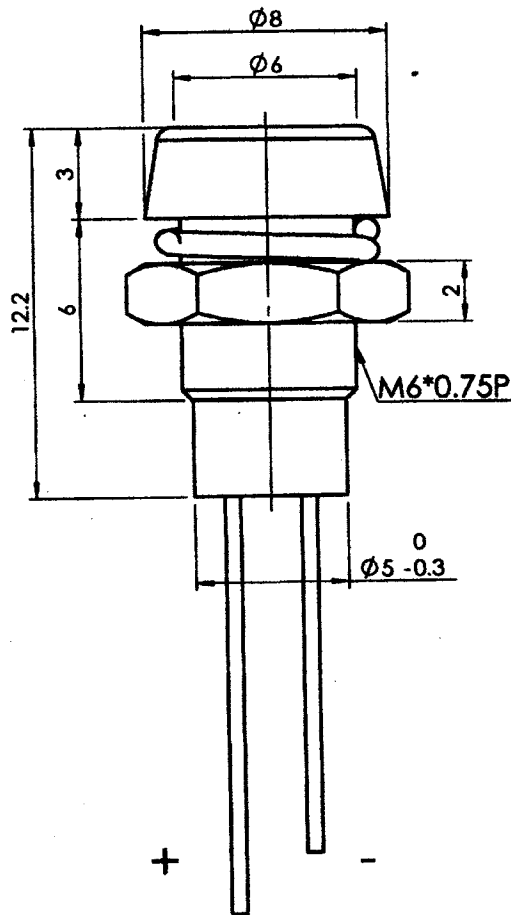



Rating		See Table Below				Mounting Hole	Circuit Diagram
Contact Resistance		See Table Below					
Insulation Resistance		DC500V 100M OHM Min					
Dielectric Strength		AC500V 1Minute					
Operation Temperature		-25°C~+85°C					
Led Color	Lens Color	VF	IF	Viewing Angle	Mcd	Panel Thickness: 3.5 max	
Red	Red Diffused	2.0V	20mA	50°	50		
Green	Green Diffused	2.1V	20mA	50°	45		
Yellow	Yellow Diffused	2.1V	20mA	50°	40		



Remark:
 1. LED Type: $\phi 3\text{mm}$
 2. Unless Otherwise Specified
 All Tolerances To Be ± 0.2
 3. ROHS Compliant

							△
Date	Name	Descriptions				NO	
Drawn	Checked	Approved	SCI No.		Model Name	LED Indicator light	
鍾運穎			Customer No.		Model No.	R9-1612	
07.04.07'			Unit	mm	© SHIN CHIN INDUSTRIAL CO., LTD.		