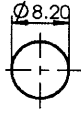
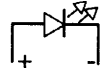
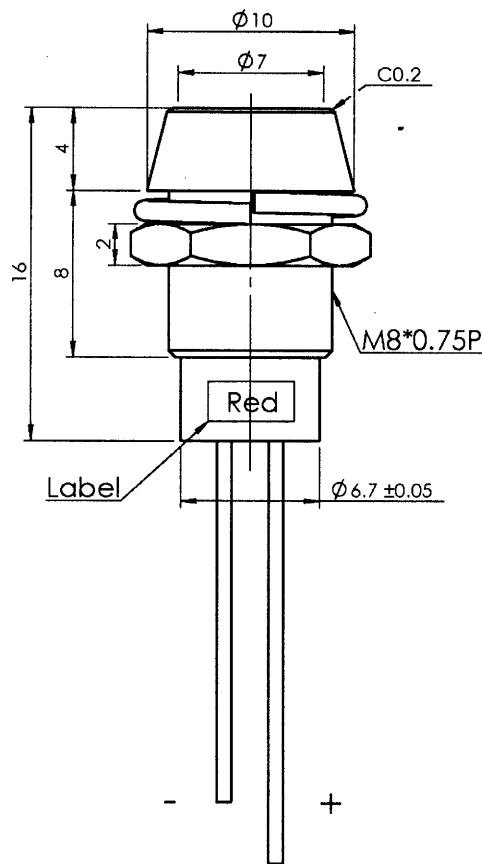
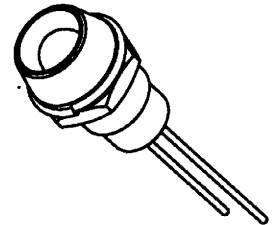


2/4-07

Led Color	Lens Color	VF	IF	Viewing Angle	Mcd	Mounting Hole	Circuit Diagram
Red	Water Clear	1.9V	20mA	15°	350		
Insulation Resistance		DC500V 100M OHM Min					
Dielectric Strength		AC500V 1 Minute					
Operation Temperature		-25°C~+85°C					
						Panel Thickness: 5.0 max	



Remark:

1. LED Type: ϕ 5mm
2. Unless Otherwise Specified All Tolerances To Be ± 0.2
3. ROHS Compliant

Date	Name	Descriptions						△
Drawn	Checked	Approved	SCI No.		Model Name	LED Indicator Light		NO
鍾運穎	研發部		Customer No.		Model No.	R9-104L-12-R		
06.18.07	2007-7-5		Unit	mm	SHIN CHIN INDUSTRIAL CO., LTD.			

研發部
2007-7-5
李九生