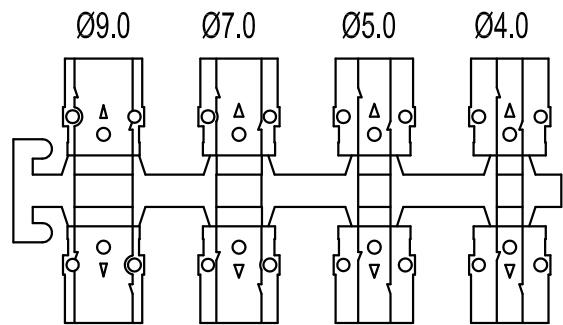
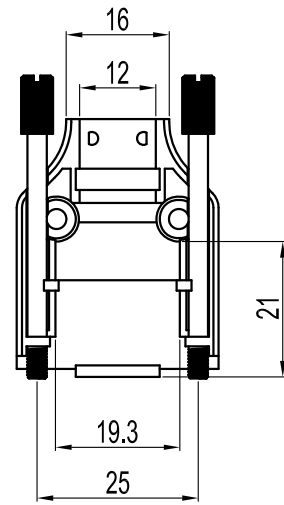
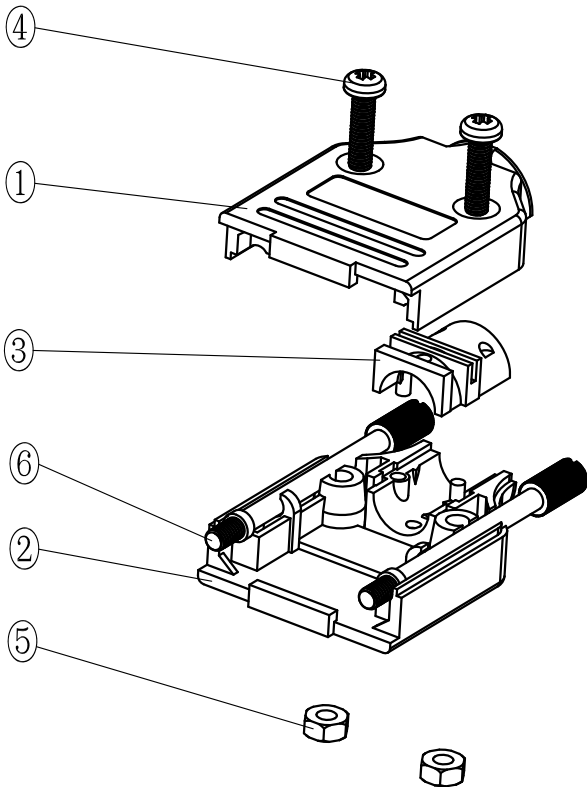
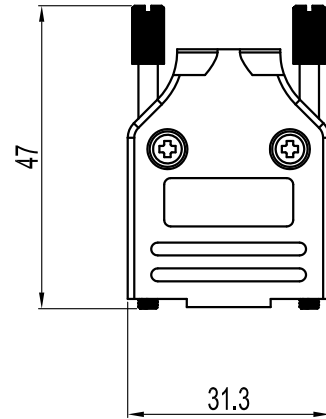
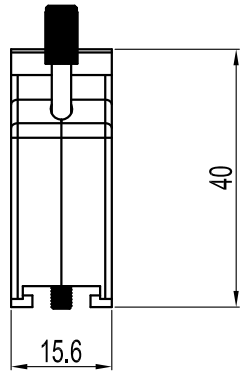


No.	Changes and/or Note No.	Date	Intr	No	Changes and/or Note No.	Date	Intr

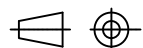


Part Number:	Description:	Pack:	1	1	Top DTPPK-9	Cover
6560-0108-01	MHDTPPK-09-BK-K	Kit	2	1	Bottom DTPPK-9	Cover
6561-0108-01	MHDTPPK-09-BK	Bulk	3	1	D45ZK-D1	Grommet
			4	2	M3X11.5	Screw
			5	2	M3	NUT
6	2	UNC 4-40X45	Jack screw			
Item	QTY	Part Number	Description			

DATE: 2009-02-11	DRAWN: YGY	SCALE:	MATERIAL TYPE:
Auditing:	APPROVED: MRR	REPLACES:	

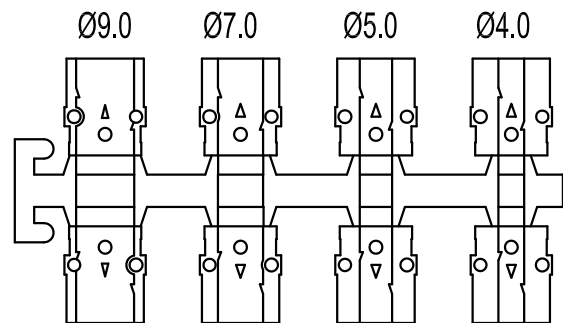
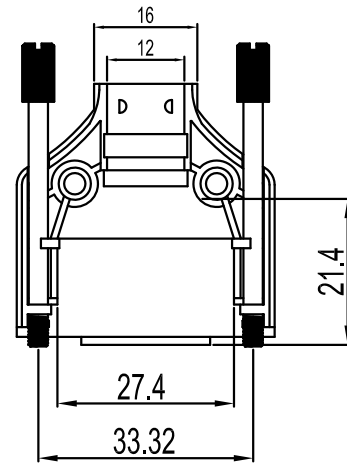
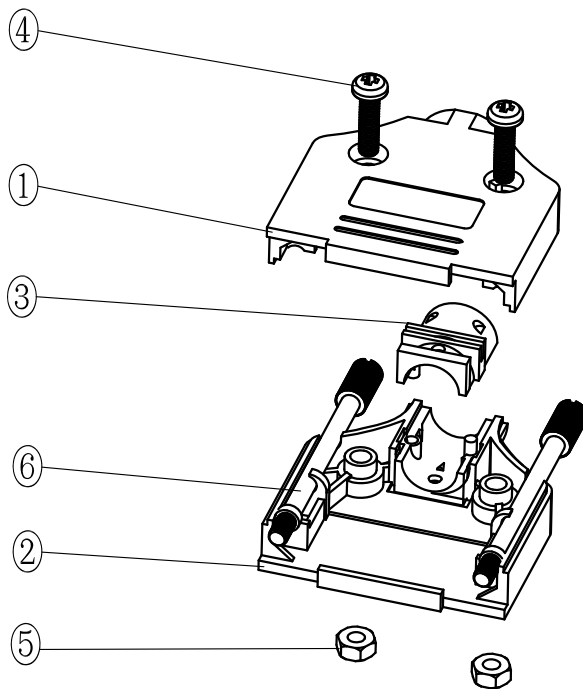
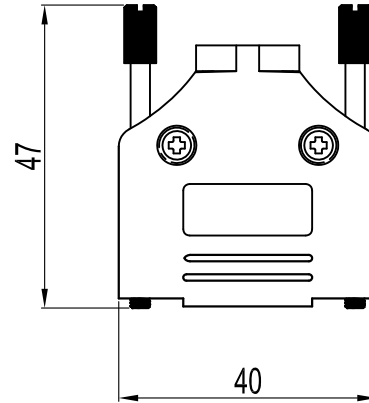
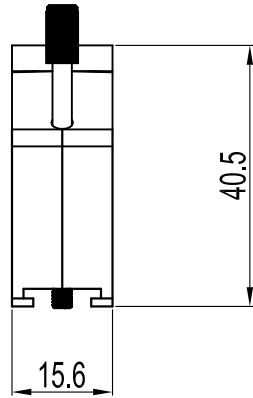


MHDTPPK-SERIES



DRAWING No:

No.	Changes and/or Note No.	Date	Intr	No	Changes and/or Note No.	Date	Intr

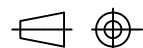


Part Number:	Description:	Pack:	1	1	Top DTPPK-15	Cover
			2	1	Bottom DTPPK-15	Cover
6560-0108-02	MHDTPPK-15-BK-K	Kit	3	1	D45ZK-D1	Grommet
			4	2	M3X11.5	Screw
6561-0108-02	MHDTPPK-15-BK	Bulk	5	2	M3	NUT
			6	2	UNC 4-40X45	Jack screw
			Item	QTY	Part Number	Description

DATE: 2009-02-11	DRAWN: YGY	SCALE:	MATERIAL TYPE:
Auditing:	APPROVED: MRR		REPLACES:

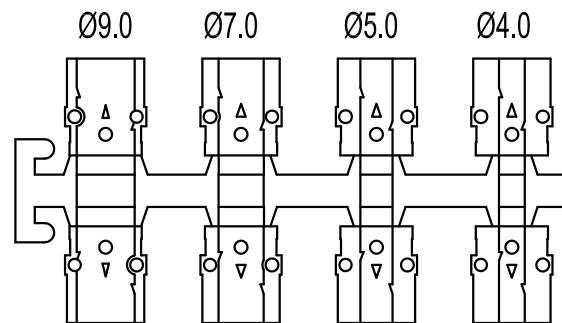
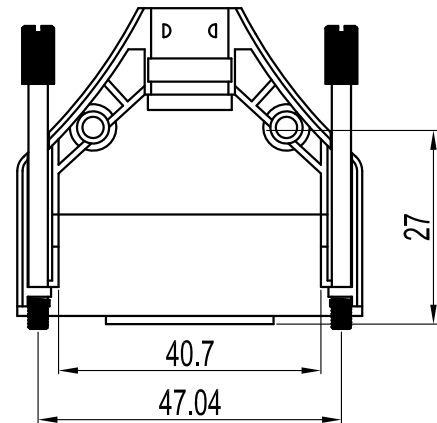
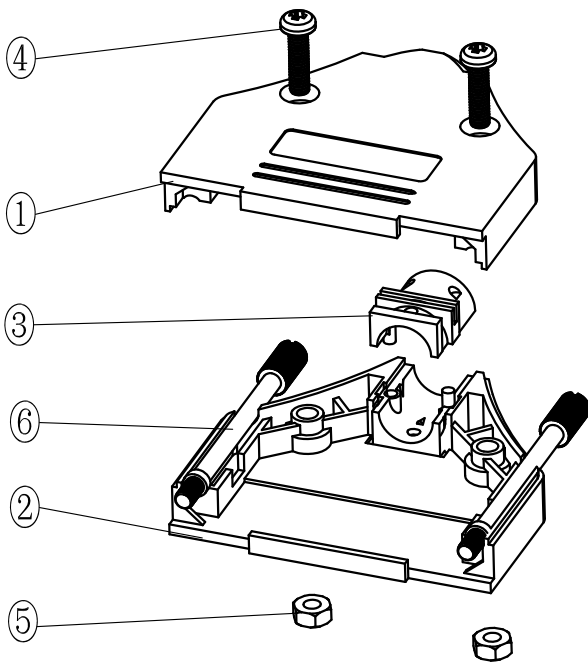
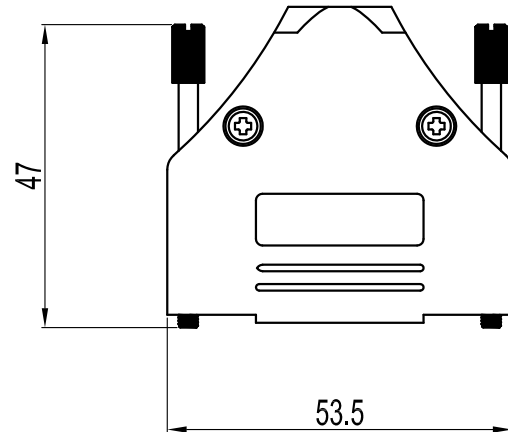
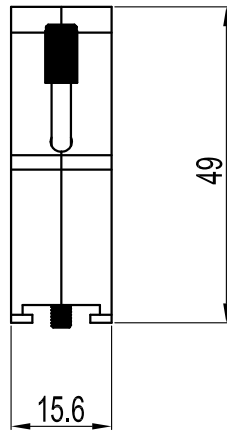


MHDTPPK-SERIES



DRAWING No:

No.	Changes and/or Note No.	Date	Intr	No	Changes and/or Note No.	Date	Intr

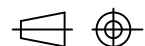


Part Number:	Description:	Pack:	1	1	Top DTPPK-25	Cover
			2	1	Bottom DTPPK-25	Cover
6560-0108-03	MHDTPPK-25-BK-K	Kit	3	1	D45ZK-D1	Grommet
			4	2	M3X11.5	Screw
6561-0108-03	MHDTPPK-25-BK	Bulk	5	2	M3	NUT
			6	2	UNC 4-40X45	Jack screw
			Item	QTY	Part Number	Description

DATE: 2008-09-11	DRAWN: YGY	SCALE:	MATERIAL TYPE:
Auditing:	APPROVED: MRR		REPLACES:

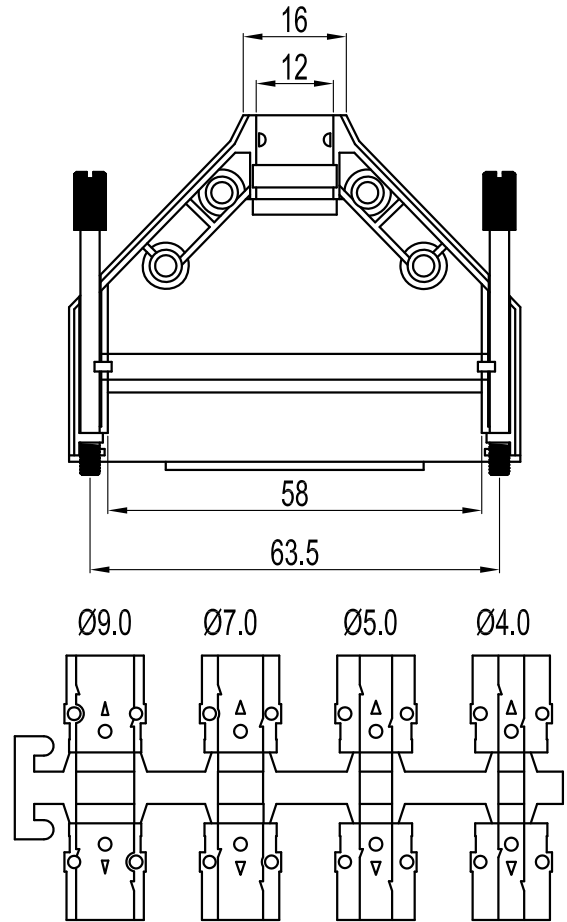
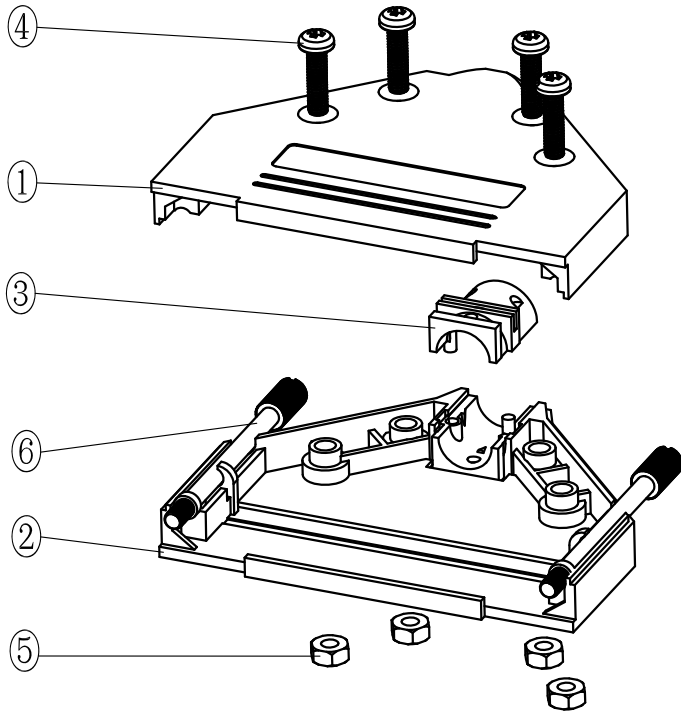
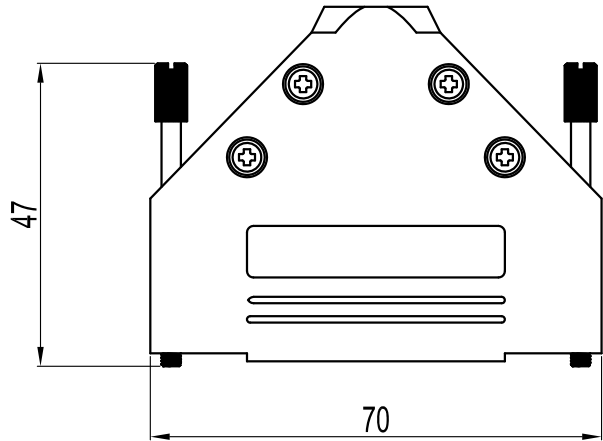
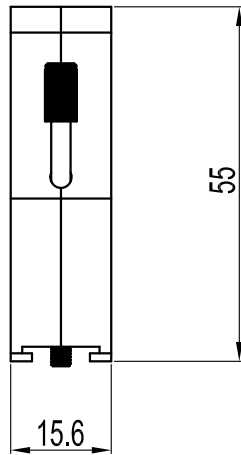


MHDTPPK-SERIES



DRAWING No:

No.	Changes and/or Note No.	Date	Intr	No	Changes and/or Note No.	Date	Intr

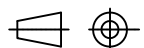


Part Number:	Description:	Pack:	1	1	Top DTPPK-37	Cover
6560-0108-04	MHDTPPK-37-BK-K	Kit	2	1	Bottom DTPPK-37	Cover
6561-0108-04	MHDTPPK-37-BK	Bulk	3	1	D45ZK-D1	Grommet
			4	4	M3X11.5	Screw
			5	4	M3	NUT
			6	2	UNC 4-40X45	Jack screw
			Item	QTY	Part Number	Description

DATE: 2008-09-11	DRAWN: YGY	SCALE:	MATERIAL TYPE:
Auditing:	APPROVED: MRR		REPLACES:



MHDTPPK-SERIES



DRAWING No: