

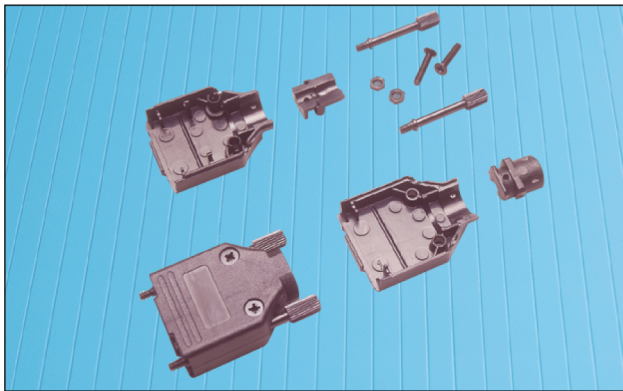
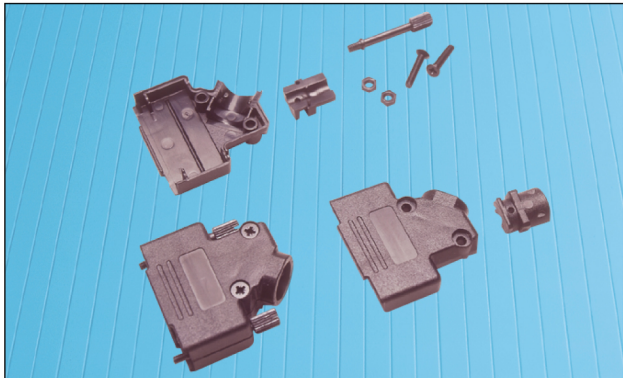
D connectors

Order code	Manufacturer code	Description
15-0996	MHDTPK37-K	37 WAY TOP ENTRY METALLISED COVER (RC)
15-0976	MHDTPP37-K	37 WAY TOP ENTRY ABS D COVER (RC)

D connectors	Page 1 of 2
The enclosed information is believed to be correct, Information may change 'without notice' due to product improvement. Users should ensure that the product is suitable for their use. E. & O. E.	Revision A 04/07/2003

MHDTPPK Series - Plastic Screw Together D Hoods Top Entry

MHD45PPK Series - Plastic Screw Together D Hoods 45° Entry



Order Code

MHDTPPK 15 - R - K

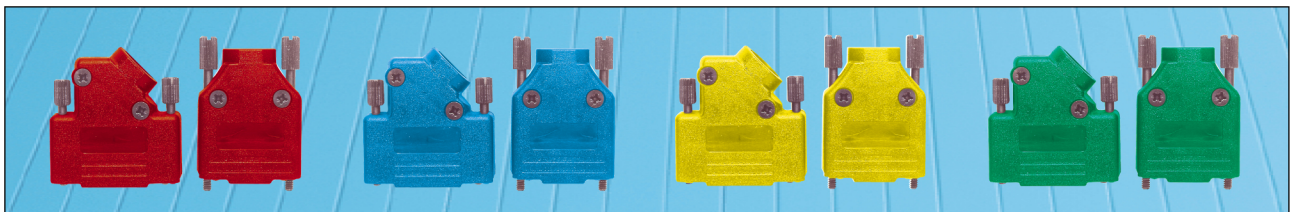
Series _____
 MHD45PPK - 45° Entry
 MHDTPPK - Top Entry

Size _____
 9,15,25,37

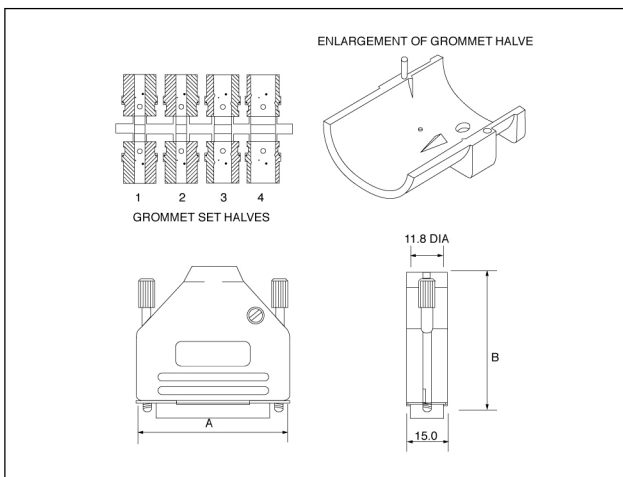
Colour _____
 Omit = Black
 R = Red, B = Blue
 G = Green, Y = Yellow

Packing Style _____
 K = Individual Kit
 Omit = Bulk

- Available in 4 industry sizes. (9, 15, 25, 37)
- Strain relief inserts ensure all cable sizes from 3mm-13mm are accommodated.
- Manufactured in UL94-VO material.
- Wide range of colours available for coding/brand identification.
- Company logos available.

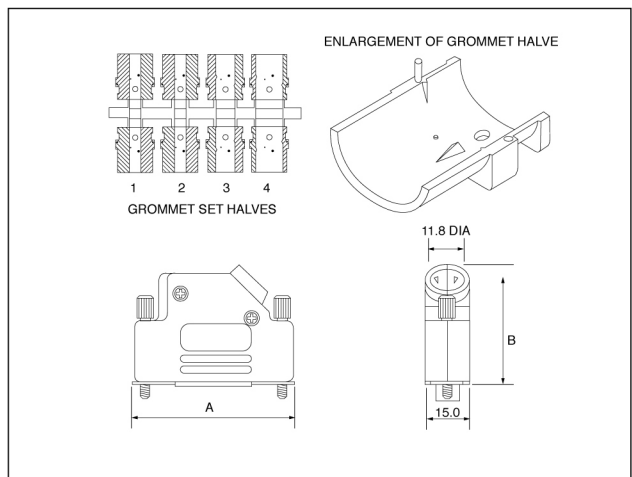


Top Entry



Grommet Number	Dimensions Diameter	Ways	DIM A	DIM B
1	4.0	9	31.2	39.9
2	5.0	15	39.5	41.5
3	7.0	25	53.4	48.6
4	10.0	37	69.7	53.6

45° Entry



Grommet Number	Dimensions Diameter	Ways	DIM A	DIM B
1	4.0	9	31.0	36.3
2	5.0	15	39.5	40.3
3	7.0	25	53.2	40.3
4	10.0	37	69.7	40.3