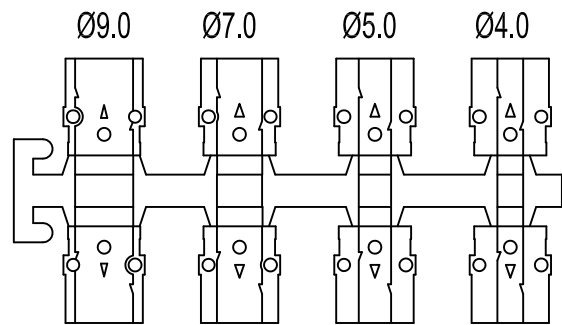
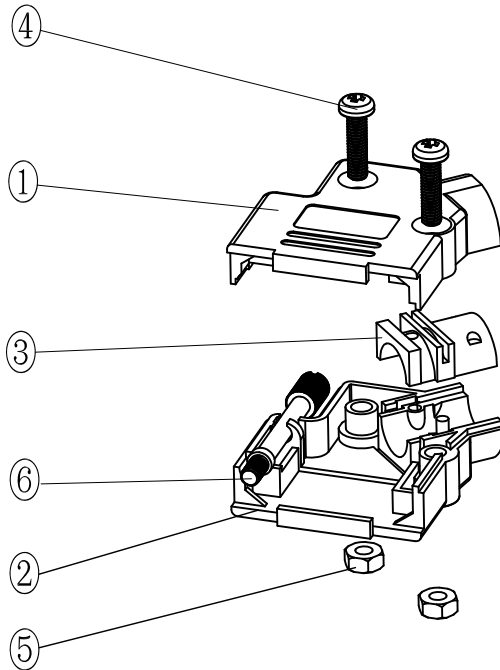
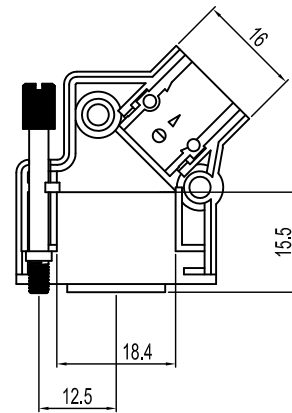
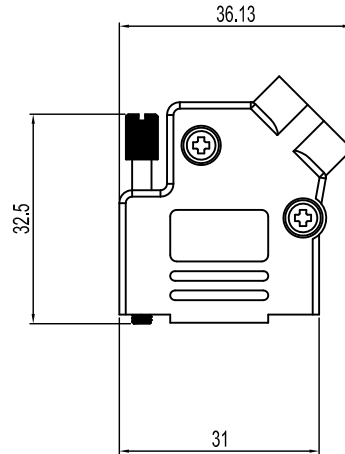
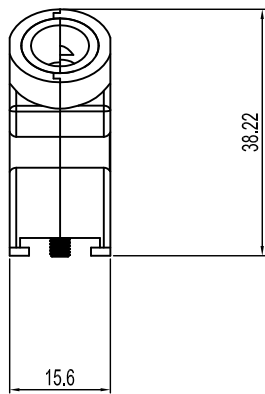


No.	Changes and/or Note No.	Date	Intr	No	Changes and/or Note No.	Date	Intr



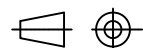
Part Number:	Description:	Pack:	1	1	Top-D45PPK-9	Cover
6560-0107-11	MHD45PPK-09-BK-K	Kit	2	1	Bottom-D45PPK-9	Cover
6561-0107-11	MHD45PPK-09-BK	Bulk	3	1	D45ZK-D1	Grommet
			4	2	M3X11.5	Screw
			5	2	M3	NUT
			6	1	UNC 4-40X32.5	Jack screw
			Item	QTY	Part Number	Description

DATE: 2008-09-25	DRAWN: YGY	SCALE:	MATERIAL TYPE:
Auditing:	APPROVED: MRR		REPLACES:

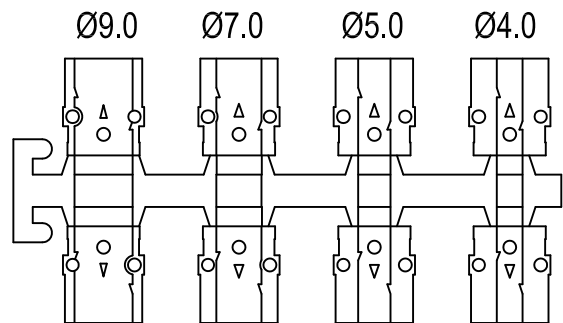
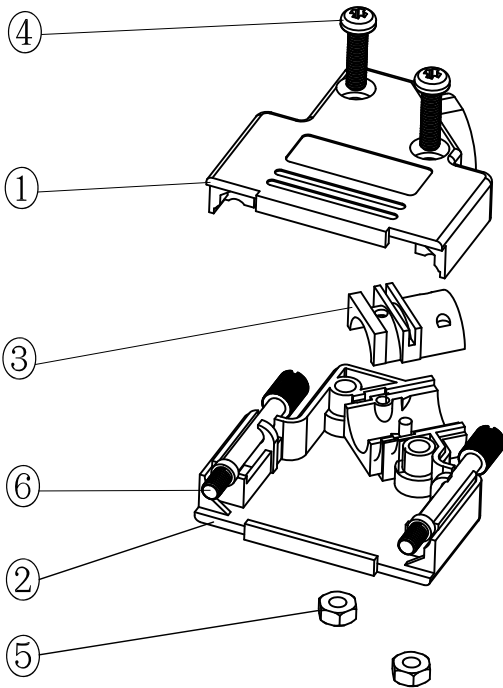
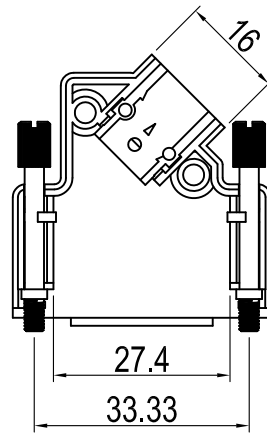
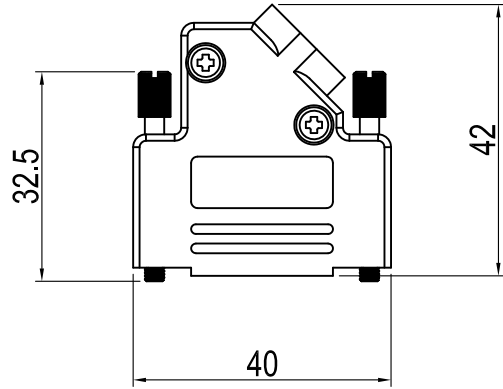
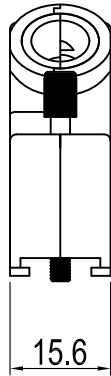


MHD45PPK-SERIES

DRAWING No:



No.	Changes and/or Note No.	Date	Intr	No	Changes and/or Note No.	Date	Intr

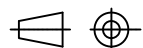


Part Number:	Description:	Pack:	1	1	Top-D45PPK-15	Cover
6560-0107-12	MHD45PPK-15-BK-K	Kit	2	1	Bottom-D45PPK-15	Cover
6561-0107-12	MHD45PPK-15-BK	Bulk	3	1	D45ZK-D1	Grommet
			4	2	M3X11.5	Screw
			5	2	M3	NUT
			6	2	UNC 4-40X32.5	Jack screw
			Item	QTY	Part Number	Description

DATE: 2008-09-25	DRAWN: YGY	SCALE:	MATERIAL TYPE:
Auditing:	APPROVED: MRR	REPLACES:	

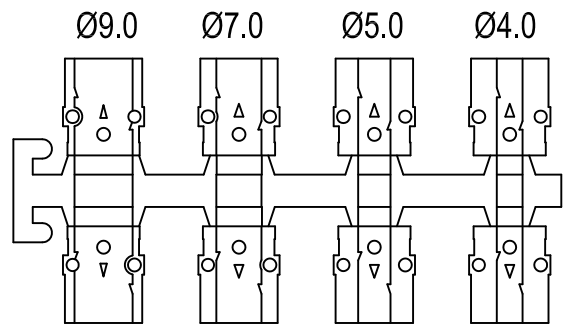
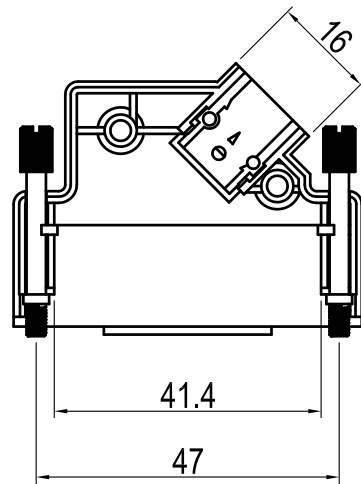
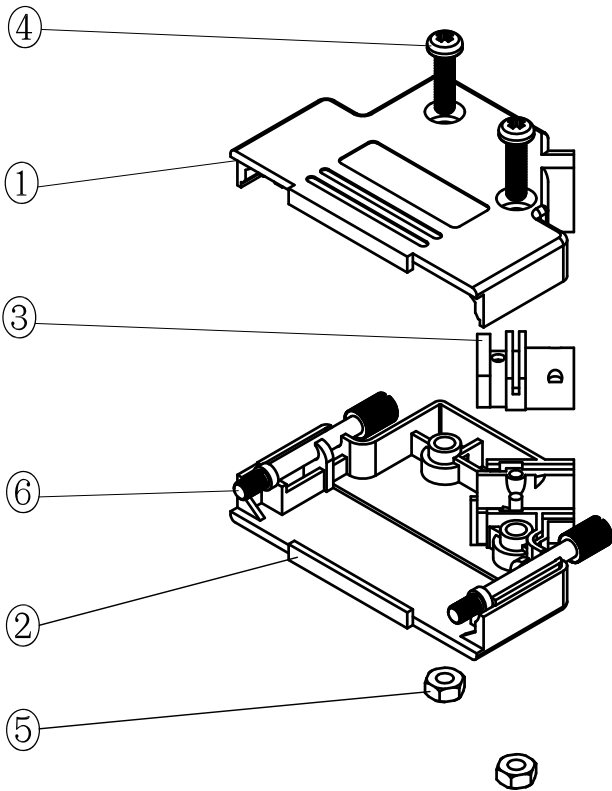
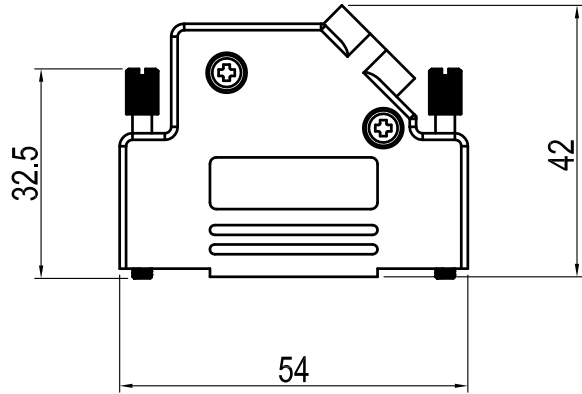
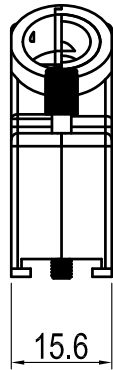


MHD45PPK-SERIES



DRAWING No:

No.	Changes and/or Note No.	Date	Intr	No	Changes and/or Note No.	Date	Intr



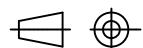
Part Number:	Description:	Pack:	1	1	Top-D45PPK-25	Cover
6560-0107-13	MHD45PPK-25-BK-K	Kit	2	1	Bottom-D45PPK-25	Cover
6561-0107-13	MHD45PPK-25-BK	Bulk	3	1	D45ZK-D1	Grommet
			4	2	M3X11.5	Screw
			5	2	M3	NUT
			6	2	UNC 4-40X32.5	Jack screw
			Item	QTY	Part Number	Description

DATE: 2008-09-25	DRAWN: YGY	SCALE:	MATERIAL TYPE:
Auditing:	APPROVED: MRR		REPLACES:

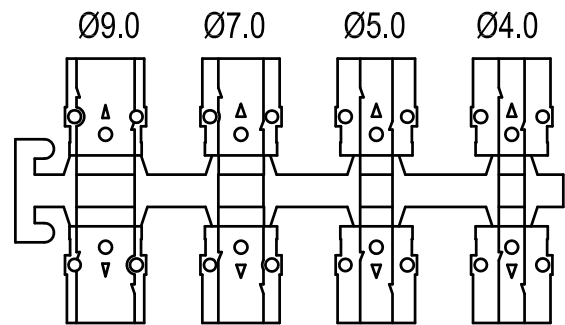
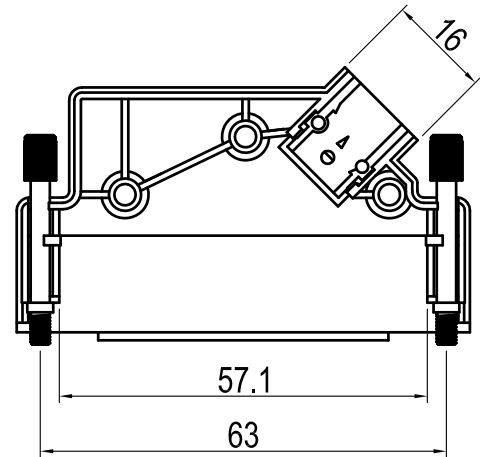
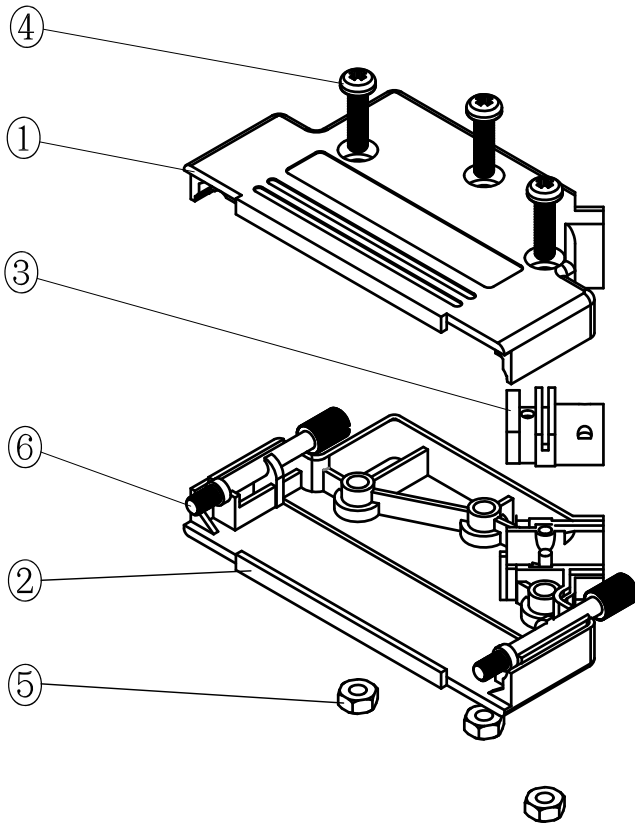
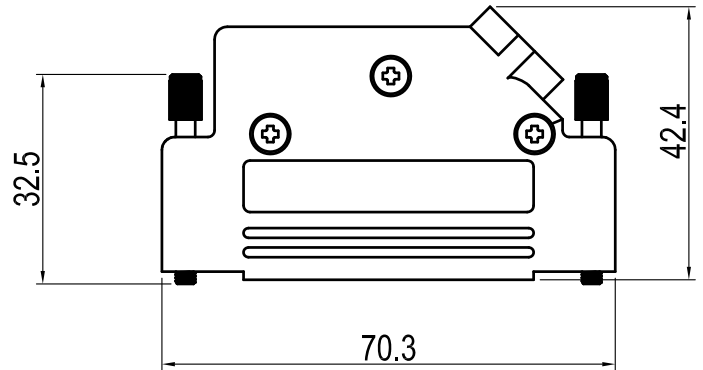
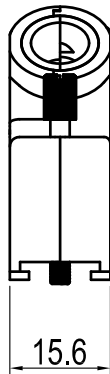


MHD45PPK-SERIES

DRAWING No:



No.	Changes and/or Note No.	Date	Intr	No	Changes and/or Note No.	Date	Intr



Part Number:	Description:	Pack:	1	1	Top-D45PPK-37	Cover
6560-0107-14	MHD45PPK-37-BK-K	Kit	2	1	Bottom-D45PPK-37	Cover
6561-0107-14	MHD45PPK-37-BK	Bulk	3	1	D45ZK-D1	Grommet
			4	3	M3X11.5	Screw
			5	3	M3	NUT
			6	2	UNC 4-40X32.5	Jack screw
			Item	QTY	Part Number	Description

DATE: 2008-09-25	DRAWN: YGY	SCALE:	MATERIAL TYPE:
Auditing:	APPROVED: MRR	REPLACES:	



MHD45PPK-SERIES

DRAWING No:

