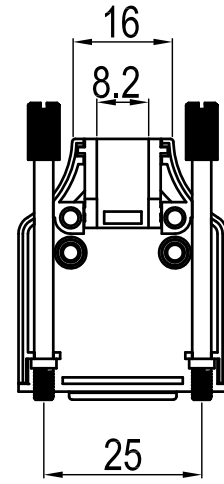
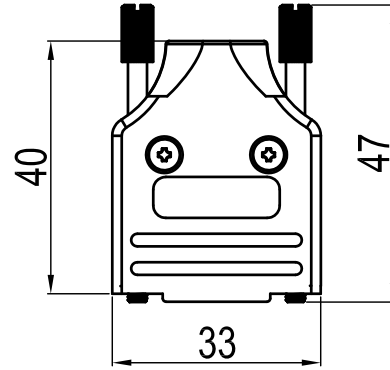
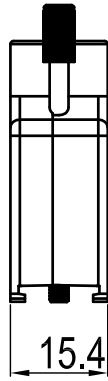
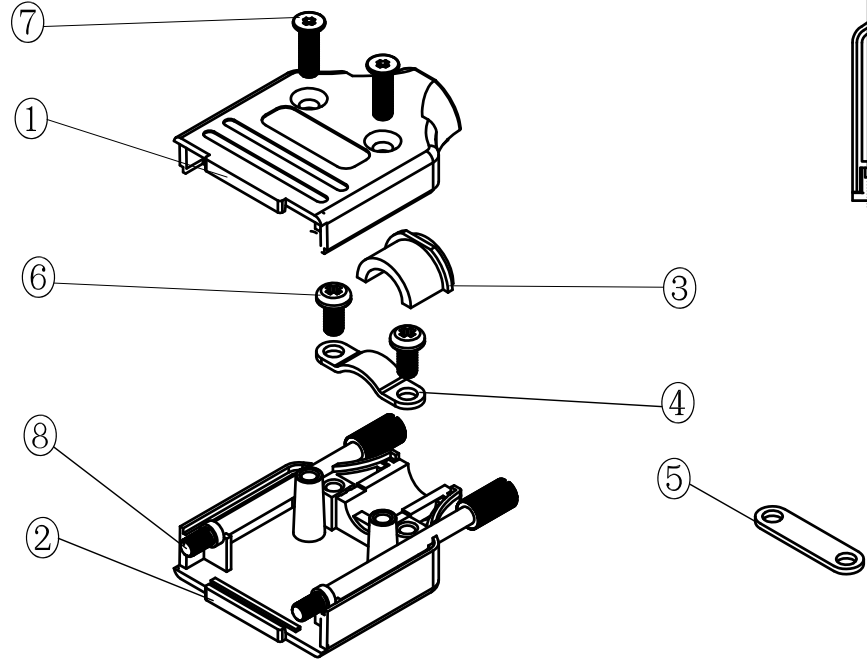
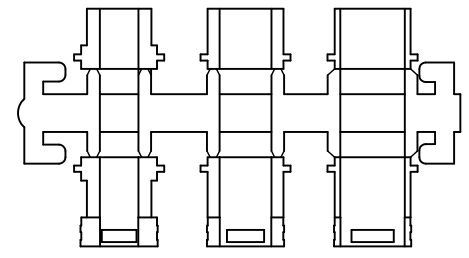


No.	Changes and/or Note No.	Date	Intr	No	Changes and/or Note No.	Date	Intr



Ø6.2 Ø8.2 Ø10.2

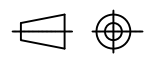


Part Number:	Description:	Pack:	Item	QTY	Part Number	Description
6560-0136-01	MHDM-09-K	Kit	1	1	Top MHDM-9	Cover
			2	1	Bottom MHDM-9	Cover
			3	1	MHDM-D1	Grommet
6561-0136-01	MHDM-09	Bulk	4	1	MHDM-CLAMP-R	R-Clamp
			5	1	MHDM-CLAMP-F	F-Clamp
			6	2	M3X6	Screw
7	2	M3X10	Screw			
8	2	UNC 4-40X47.2	Jack screw			

DATE: 2008-10-29	DRAWN: YGY	SCALE:	MATERIAL TYPE:
Auditing:	APPROVED: MRR		REPLACES:

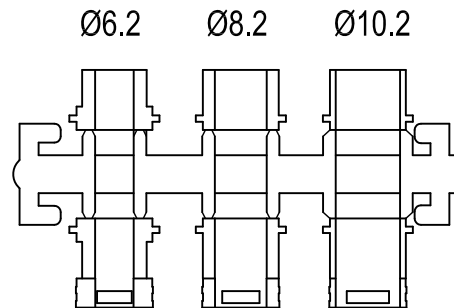
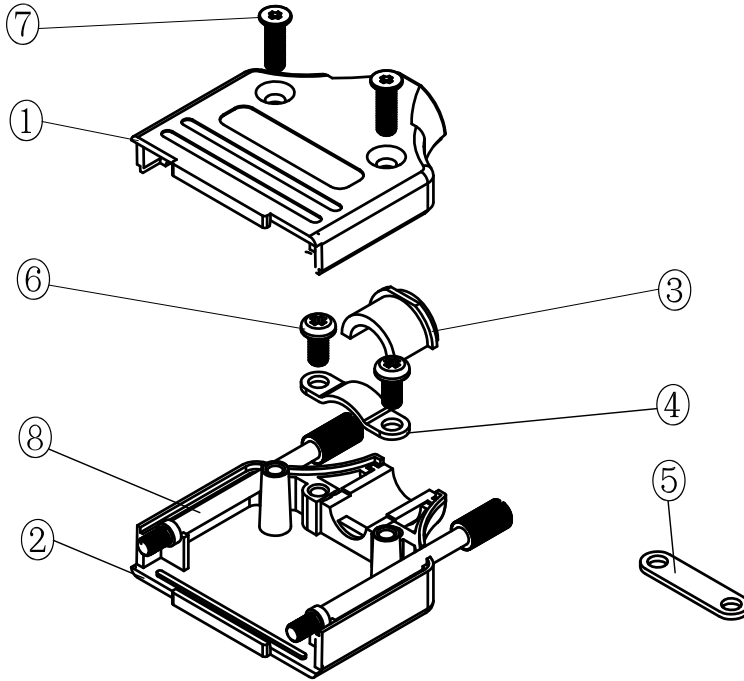
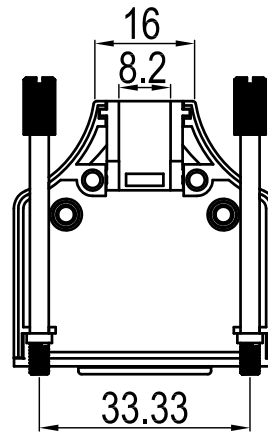
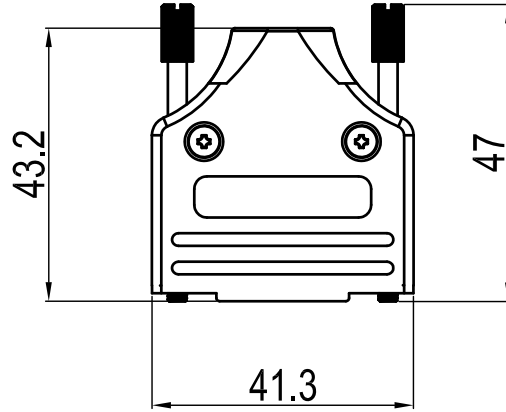
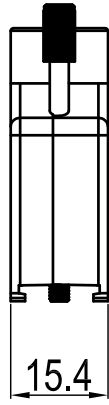


MHULTI HOOD SYSTEM-TOP ENTRY



DRAWING No:

No.	Changes and/or Note No.	Date	Intr	No	Changes and/or Note No.	Date	Intr

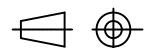


Part Number:	Description:	Pack:	Item	QTY	Part Number	Description
6560-0136-02	MHDM-15-K	Kit	1	1	Top MHDM-15	Cover
			2	1	Bottom MHDM-15	Cover
6561-0136-02	MHDM-15	Bulk	3	1	MHDM-D1	Grommet
			4	1	MHDM-CLAMP-R	R-Clamp
			5	1	MHDM-CLAMP-F	F-Clamp
			6	2	M3X6	Screw
6561-0136-02	MHDM-15	Bulk	7	2	M3X10	Screw
			8	2	UNC 4-40X47.2	Jack screw
Item	QTY	Part Number	Description			

DATE: 2008-10-29	DRAWN: YGY	SCALE:	MATERIAL TYPE:
Auditing:	APPROVED: MRR		REPLACES:

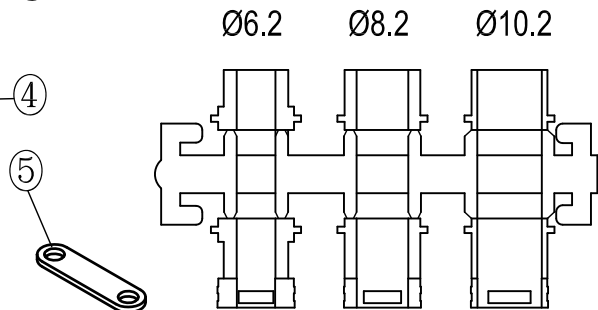
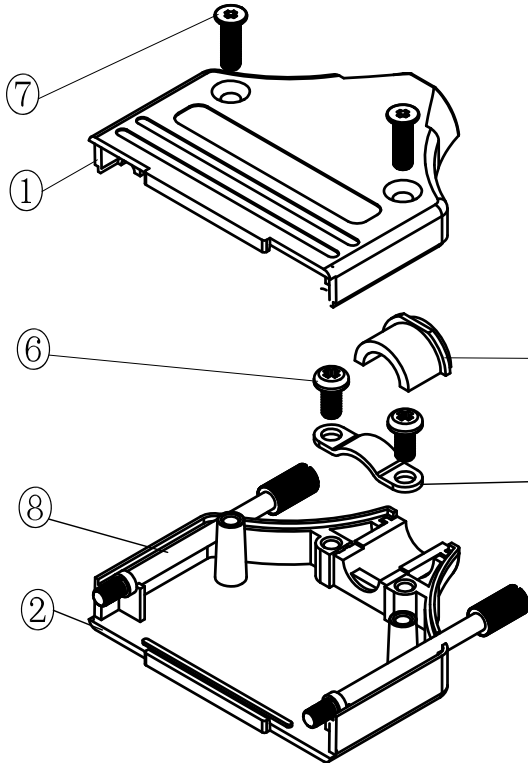
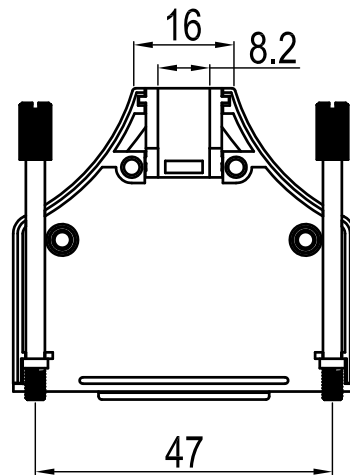
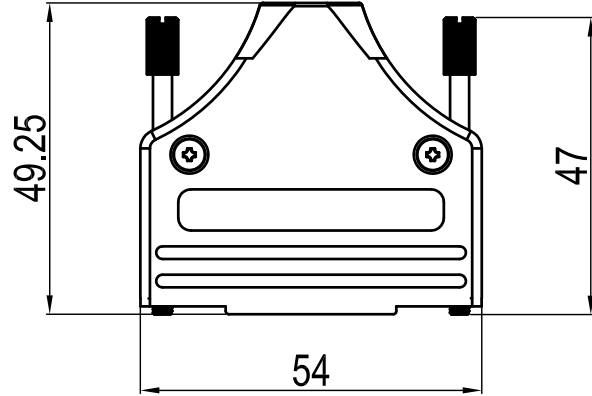
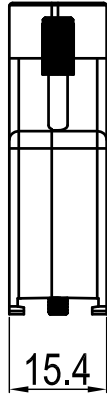


MHULTI HOOD SYSTEM-TOP ENTRY



DRAWING No:

No.	Changes and/or Note No.	Date	Intr	No	Changes and/or Note No.	Date	Intr

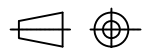


Part Number:	Description:	Pack:	Item	QTY	Part Number	Description
6560-0136-03	MHDM-25-K	Kit	1	1	Top MHDM-25	Cover
			2	1	Bottom MHDM-25	Cover
6561-0136-03	MHDM-25	Bulk	3	1	MHDM-D1	Grommet
			4	1	MHDM-CLAMP-R	R-Clamp
			5	1	MHDM-CLAMP-F	F-Clamp
			6	2	M3X6	Screw
6561-0136-03	MHDM-25	Bulk	7	2	M3X10	Screw
			8	2	UNC 4-40X47.2	Jack screw
Item	QTY	Part Number	Description			

DATE: 2008-10-29	DRAWN: YGY	SCALE:	MATERIAL TYPE:
Auditing:	APPROVED: MRR		REPLACES:

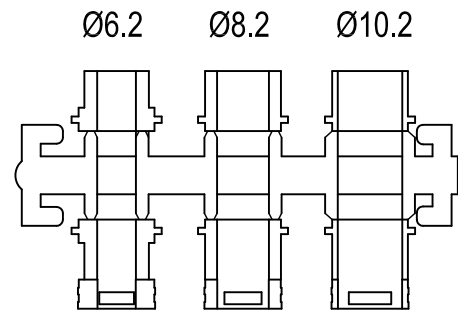
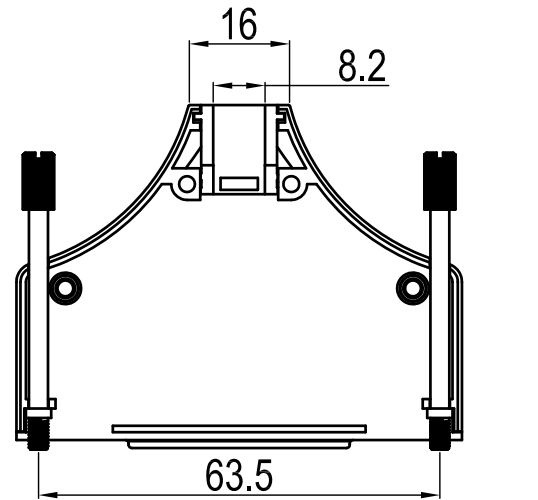
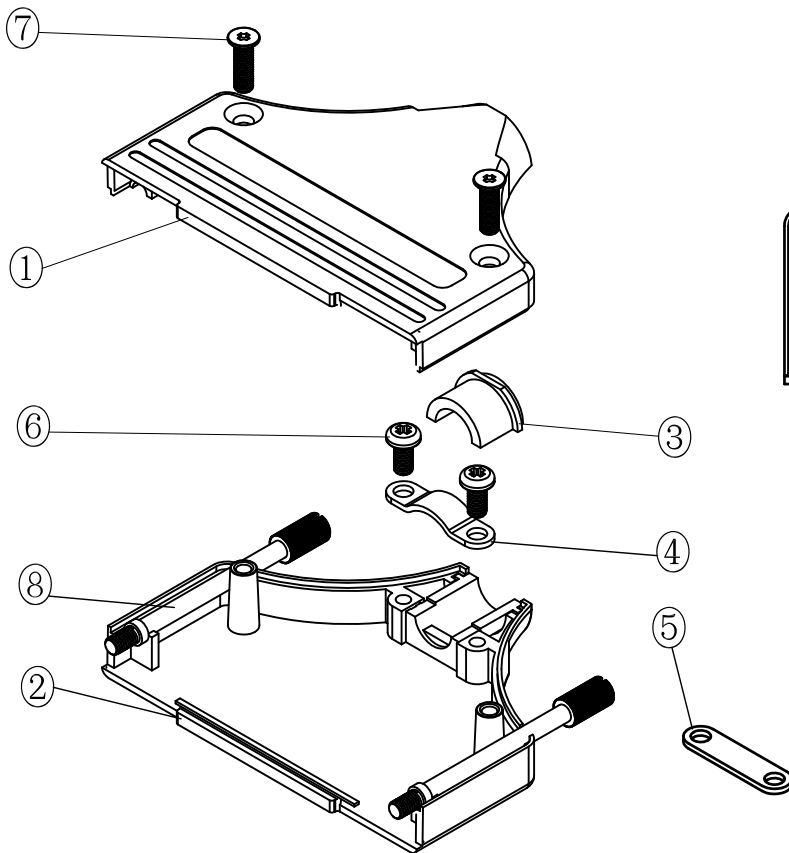
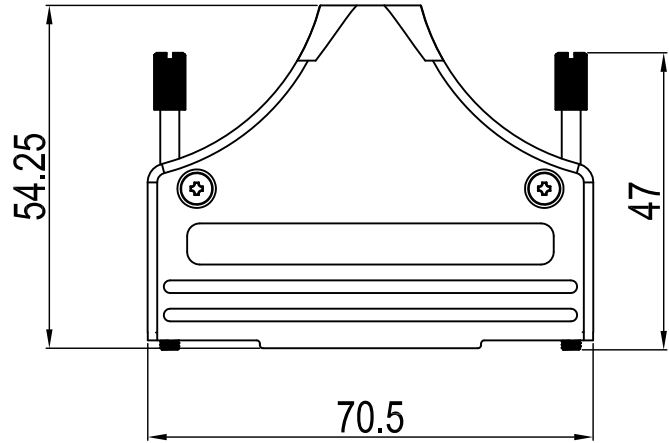
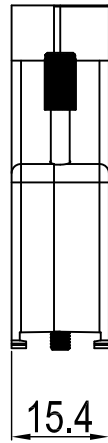


MHULTI HOOD SYSTEM-TOP ENTRY



DRAWING No:

No.	Changes and/or Note No.	Date	Intr	No	Changes and/or Note No.	Date	Intr

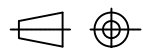


Part Number:	Description:	Pack:	1	1	Top MHDM-37	Cover
6560-0136-04	MHDM-37-K	Kit	2	1	Bottom MHDM-37	Cover
6561-0136-04	MHDM-37	Bulk	3	1	MHDM-D1	Grommet
			4	1	MHDM-CLAMP-R	R-Clamp
			5	1	MHDM-CLAMP-F	F-Clamp
			6	2	M3X6	Screw
			7	2	M3X10	Screw
			8	2	UNC 4-40X47.2	Jack screw
			Item	QTY	Part Number	Description

DATE: 2008-10-29	DRAWN: YGY	SCALE:	MATERIAL TYPE:
Auditing:	APPROVED: MRR	REPLACES:	



MHULTI HOOD SYSTEM-TOP ENTRY



DRAWING No: