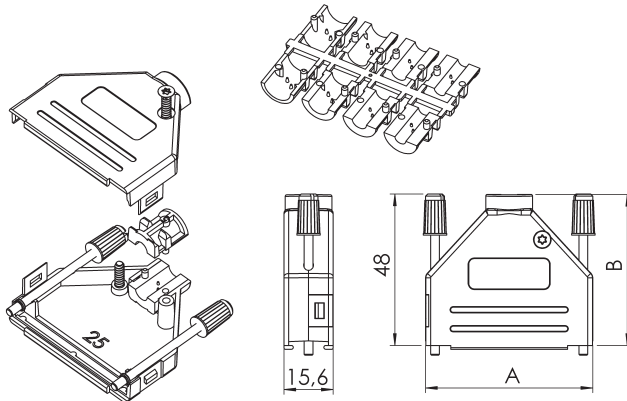
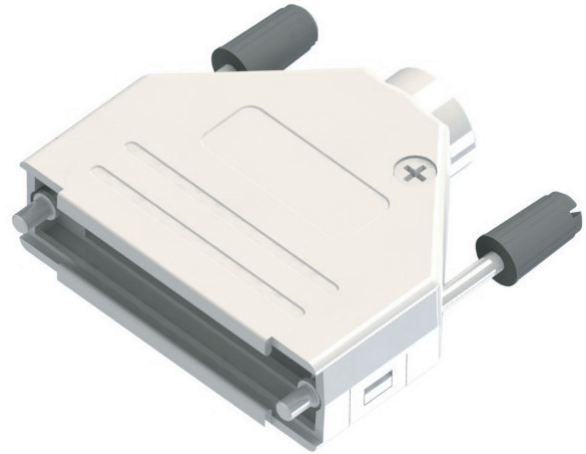


Shielded D-Sub Backshells OS-DTPMK Series

TECHNICAL SPECIFICATIONS

Material:	ABS Plastic, Ni-plated
Temp. range:	-40°C - 110°C
Cable strain relief:	Polycarbonate, PC UL94 V-0
Cable diameter:	3.0 - 13.0 mm
Locking screws:	Long jackscrews with moulded top for colour coding
Cable outlet:	Straight
Attenuation factor:	> 40 dB between 30 MHz and 1 GHz



TYPE	A	B
DTPMK9	31	38,3
DTPMK15	39,3	40,5
DTPMK25	53	47,8
DTPMK37	69,5	52,2

PART NUMBERING SYSTEM

15-1183	9-way straight cable outlet
15-1184	15-way straight cable outlet
15-1185	25-way straight cable outlet
15-1186	37-way straight cable outlet

FEATURES

- Available in sizes 9, 15, 25 and 37
- Minimise interference from electromagnetic and RF sources
- Non-static parts avoid ESD problems
- Accept round foil and braided cable types
- No special assembly tools required
- Approved according VDE 0871, FCC 20780 and 89/336/EU
- Long jackscrews with UNC 4-40 thread as standard, M2.5, M2.6 or M3.0 as option