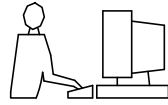
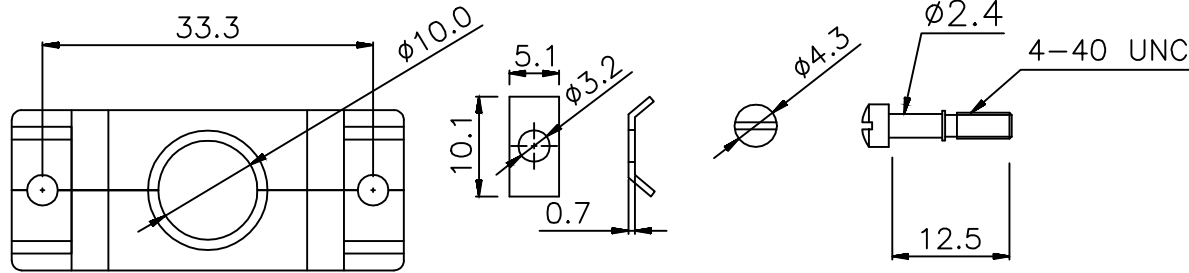


THIS IS A C.A.D. GENERATED DRAWING
DO NOT MAKE MANUAL REVISIONS TO MASTER.

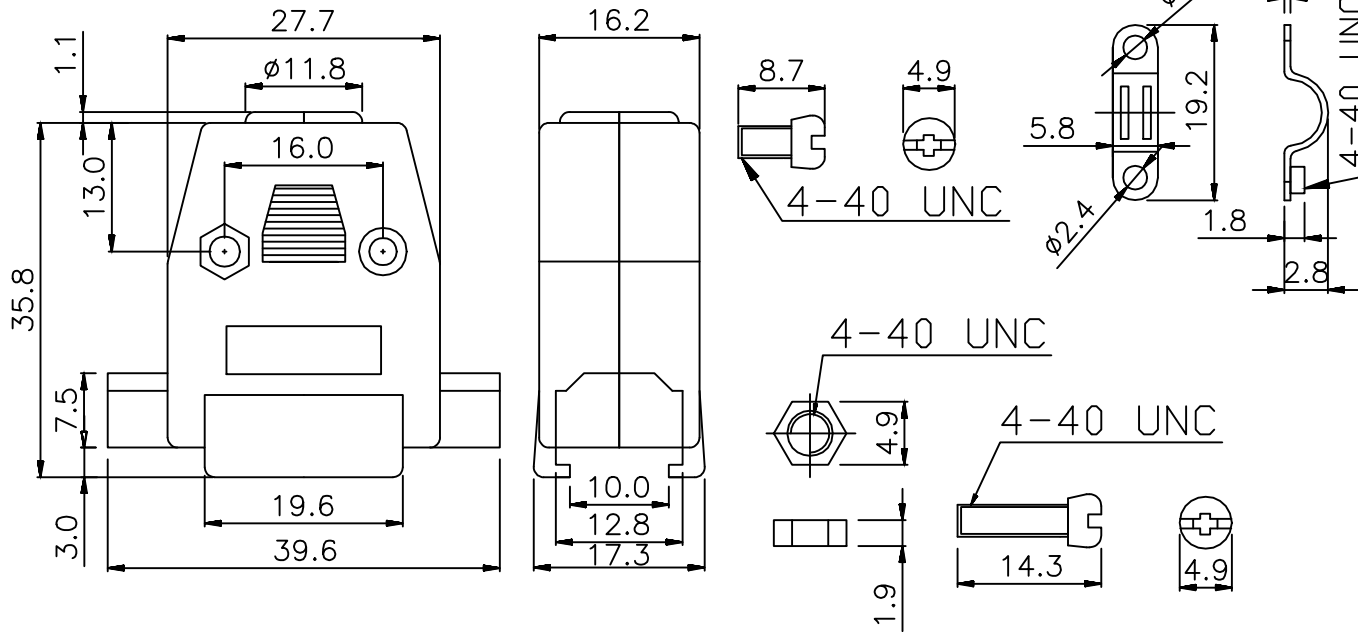


* UNLESS OTHERWISE SPECIFIED TOLERANCES
ON DECIMAL IS: ANGLE $\pm 5^\circ$
UNIT: MM X. ± 0.3
X.X ± 0.3
X.XX ± 0.2



MATERIAL:
INSULATOR : ABS UL94HB
SCREW: STEEL
FINISHED : CHROMATE PLATED
R=ROHS
TYPE OPTION:
101=STANDARD TYPE SHORT SCREW
INSULATOR COLOR:

BK=BLACK
MP=METALIZED
LG=GREY



THESE DRAWINGS AND SPECIFICATIONS ARE THE
PROPERTY OF MH CONNECTORS AND SHALL NOT BE
REPRODUCED, COPIED OR USED AS THE BASIS FOR
THE MANUFACTURE OR SALE OF APPARATUS WITHOUT
WRITTEN PERMISSION.

DRAWN Johnny Chen	DATE 01-26-16
----------------------	------------------

APPROVED Victor Lin	DATE 01-26-16
------------------------	------------------

SCALE	SHEET OF 1 OF 1	REV: 2.0
-------	--------------------	-------------

DRAWING No
CCOV-15SC-XX



THIS SERIES FULLY CONFORMS TO THE
EUROPEAN UNION DIRECTIVES 2002/95/EC
AND 2002/96/EC FOR RoHS COMPLIANCY.



MH CONNECTORS,
DIVISION OF EDAC