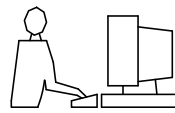
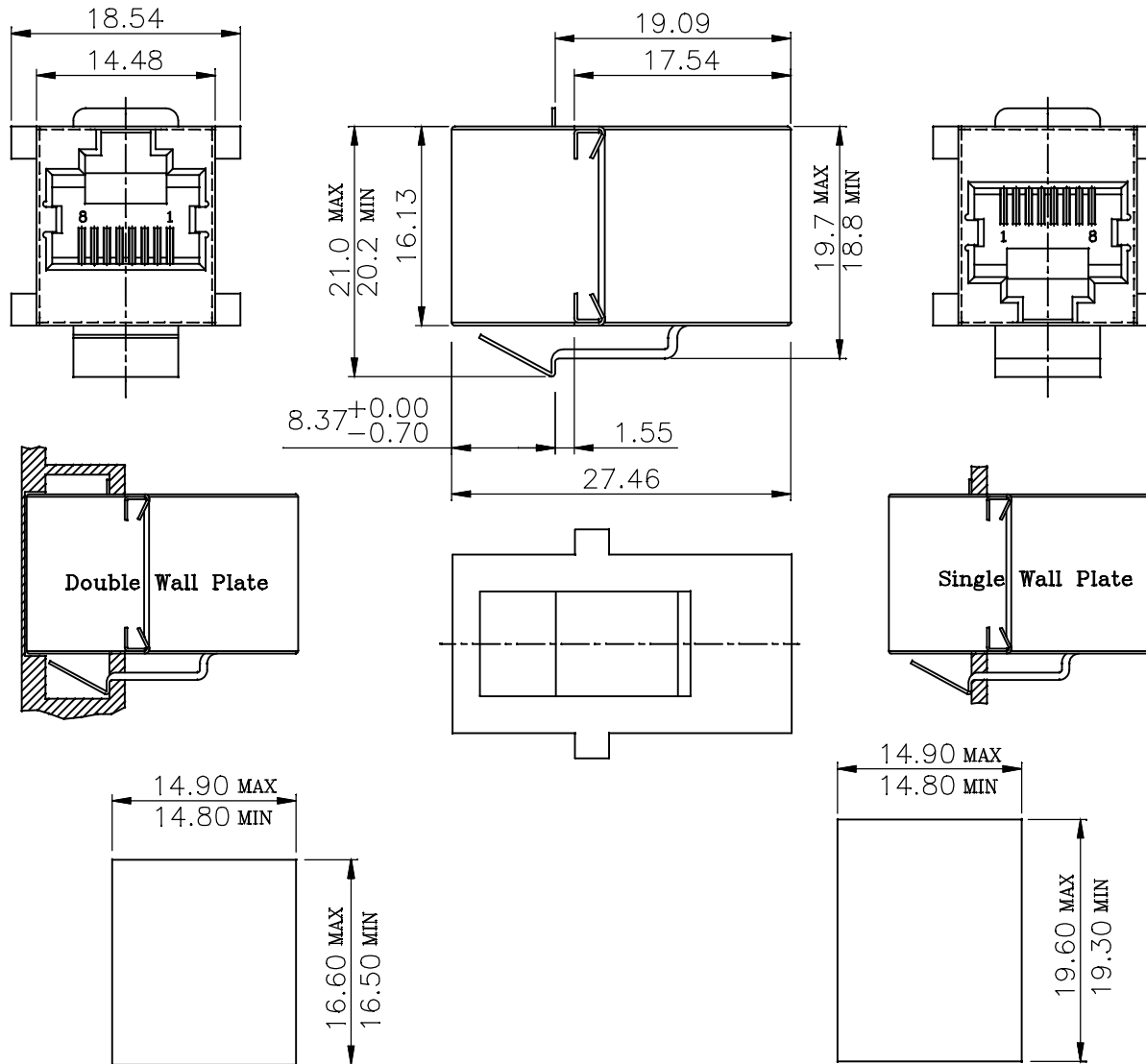


THIS IS A C.A.D. GENERATED DRAWING  
DO NOT MAKE MANUAL REVISIONS TO MASTER.



\* UNLESS OTHERWISE SPECIFIED TOLERANCES  
ON DECIMAL IS: ANGLE  $\pm 1^\circ$   
.XX  $\pm 0.35$

UNIT: MM



Electrical:  
Contact current rating: 1.5AMPS  
Dielectric withstanding voltage: 500VAC  
Insulation resistance: 1000 MegOhms Min.  
Contact resistance: 30 MilliOhms Max  
Operating temperature: -55°C to +85°C

Materials:  
Contacts: Phosphor bronze  
Insulator: Thermoplastic UL 94V-0  
Shell: Stainless stell  
Gold plating:6 microinch

Front Panel Jack Only Clearance  
W/O Latch Feature

Single Panel - Latch Clearance  
Panel Thickness 0.062 inch

THESE DRAWINGS AND SPECIFICATIONS ARE THE PROPERTY OF MH CONNECTORS LTD. AND SHALL NOT BE REPRODUCED, COPIED OR USED AS THE BASIS FOR THE MANUFACTURE OR SALE OF APPARATUS WITHOUT WRITTEN PERMISSION.

DRAWN HALEY	DATE 01-20-14
----------------	------------------

APPROVED DAMIEN	DATE 01-21-14
--------------------	------------------

SCALE 1:1	SHEET OF 1 OF 1	REV: 4.0
--------------	--------------------	-------------

DRAWING No  
MH3101S-8821



THIS SERIES FULLY CONFORMS TO THE EUROPEAN UNION DIRECTIVES 2002/95/EC AND 2002/96/EC FOR RoHS COMPLIANCY.



MH CONNECTORS LTD.