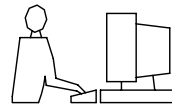
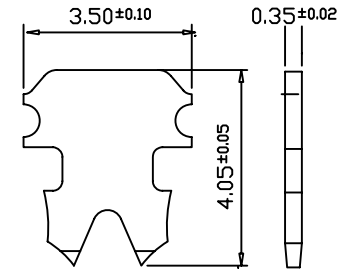
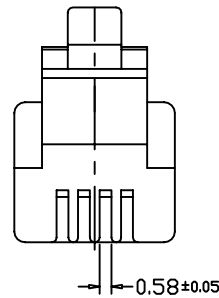
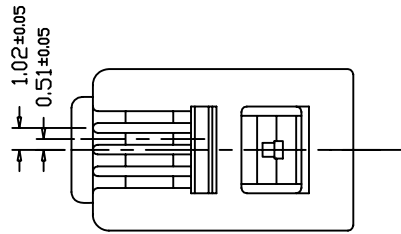


THIS IS A C.A.D. GENERATED DRAWING
DO NOT MAKE MANUAL REVISIONS TO MASTER.

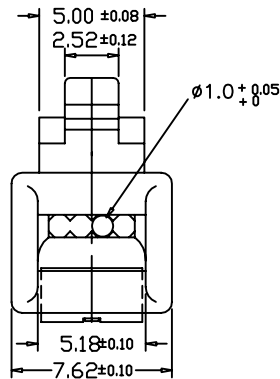
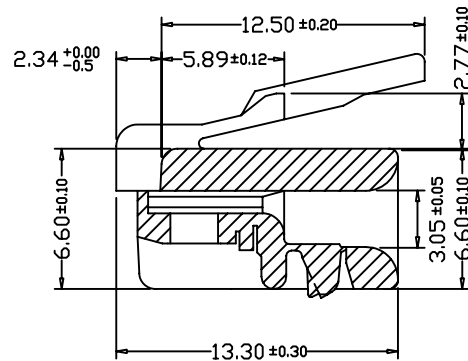


* UNLESS OTHERWISE SPECIFIED TOLERANCES
ON DECIMAL IS:

UNIT: MM



2 PRONGS FOR STRANDED WIRE



REMARK:

- 1.AVAILABLE FOR 24 OR 26 AWG WIRE.
- 2.HOUSING MATERIAL: POLYCARBONATE UL 94V-0.
- 3.CONTACT TYPE: 2 PRONGS FOR STRANDED WIRE.
- 4.GOLD PLATING: 50u"(≥1.27um).
- 5.CONTACT MATERIAL: PHOSPHOR BRONZE.

THESE DRAWINGS AND SPECIFICATIONS ARE THE PROPERTY OF MH CONNECTORS LTD. AND SHALL NOT BE REPRODUCED, COPIED OR USED AS THE BASIS FOR THE MANUFACTURE OR SALE OF APPARATUS WITHOUT WRITTEN PERMISSION.

DRAWN JOHNNY		DATE 06-29-13	
APPROVED		DATE	
SCALE	SHEET OF 1 OF 1	REV: 2.0	
DRAWING No MHRJ114P4CF			



THIS SERIES FULLY CONFORMS TO THE EUROPEAN UNION DIRECTIVES 2002/95/EC AND 2002/96/EC FOR RoHS COMPLIANCY.



MH CONNECTORS LTD.