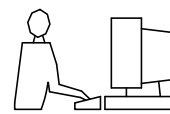
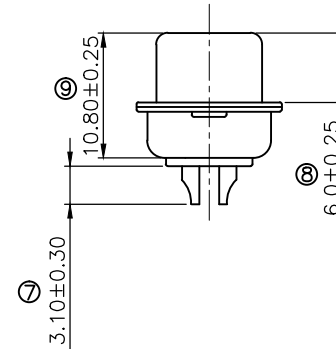
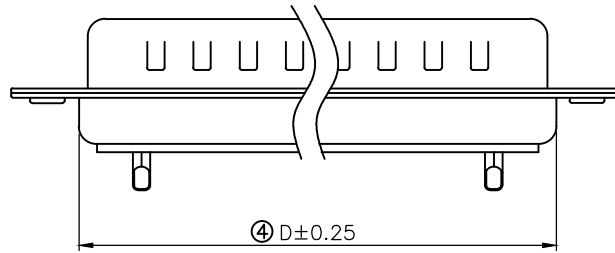
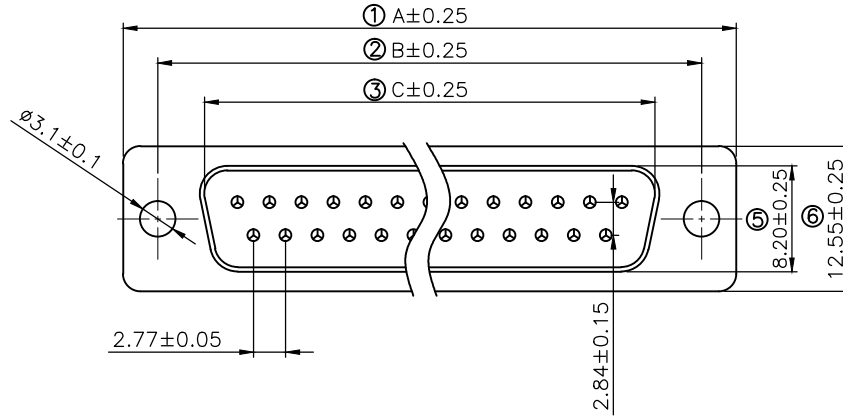


THIS IS A C.A.D. GENERATED DRAWING
DO NOT MAKE MANUAL REVISIONS TO MASTER.



* UNLESS OTHERWISE SPECIFIED TOLERANCES
ON DECIMAL IS: ANGLE $\pm 1^\circ$
.X ± 0.15
.XX ± 0.05



Remark:

1.SPECIFICATION:

Rated voltage:250V
 Rates current:5AMP
 Contact resistance:20M Ω MAX
 Insulation resistance:1000M Ω MIN.at 500V DC
 Withstand voltage:500V Per minute
 Temperature range:-55 -105 $^\circ\text{C}$

2.MATERIAL:

Plastic:PBT+30% G.F (UL94V-0) BLACK
 Terminal:brass ,tin-gold plated
 Spcc shell:Spcc front shell is ni plated back shell is tin plated

PN	PIN	A	B	C	D
MHDB9SP	09	30.81	24.99	16.92	19.28
MHDB15SP	15	39.25	33.32	25.25	27.75
MHDB25SP	25	53.03	47.04	38.96	41.30
MHDB37SP	37	69.50	63.50	55.42	57.40

THESE DRAWINGS AND SPECIFICATIONS ARE THE PROPERTY OF MH CONNECTORS LTD. AND SHALL NOT BE REPRODUCED, COPIED OR USED AS THE BASIS FOR THE MANUFACTURE OR SALE OF APPARATUS WITHOUT WRITTEN PERMISSION.

DRAWN Johnny	DATE 07-16-12
-----------------	------------------

APPROVED DAMIEN	DATE 01-15-14
--------------------	------------------

SCALE 1:1	SHEET OF 1 OF 1	REV: 2.0
--------------	--------------------	-------------

DRAWING No
MHDB SP



THIS SERIES FULLY CONFORMS TO THE EUROPEAN UNION DIRECTIVES 2002/95/EC AND 2002/96/EC FOR RoHS COMPLIANCY.



MH CONNECTORS LTD.