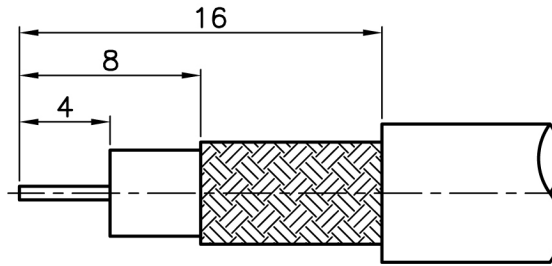
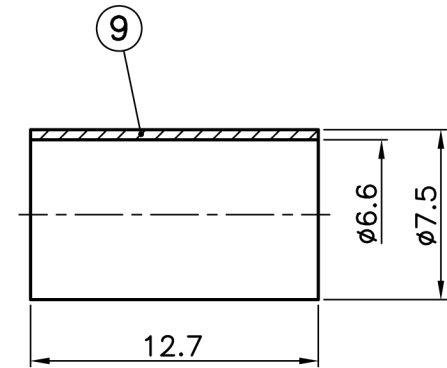
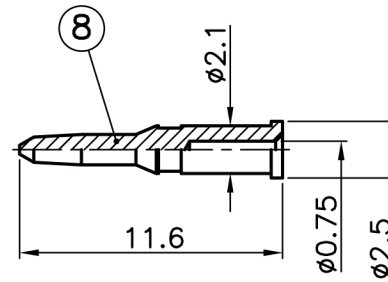
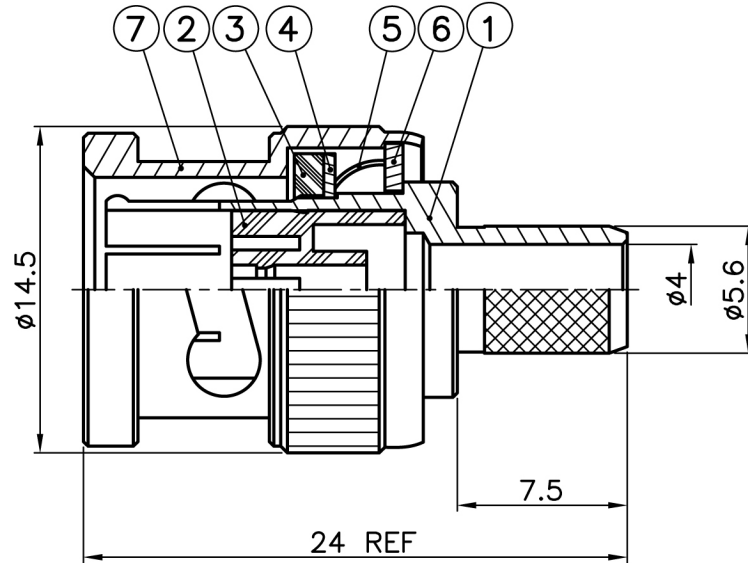


REVISIONS	
ISS	DESCRIPTION \ DATE
1	

RoHS COMPLIANT



RECOMMENDED
CABLE STRIPPING DIM'S



1. CRIMPED FERRULE
HEX CRIMP SIZE .255"
2. CRIMPED CONTACT PIN
HEX CRIMP SIZE .068"

APRD:	UNLESS OTHERWISE SPECIFIED TOLERANCES 0.5-6 = ±0.2 >6-30 = ±0.4 >30-120 = ±0.6 >120-315 = ±1 >315-1000 = ±1.6 ANGLES = ±5°
CHKD:	
DR:	
DATE:	
SHEET:	UNIT: mm
	SCALE: 3/1

NO.	DESCRIPTION	MATERIAL	FINISH
9	FERRULE	BRASS	NICKEL
8	CONTACT PIN	BRASS	GOLD
7	SHELL	ZINC ALLOY	NICKEL
6	WASHER	STEEL	NICKEL
5	SPRING	SK-5	NICKEL
4	C WASHER	STEEL	NICKEL
3	GASKET	PVC	RED
2	INSULATOR	DELTRIN	WHITE
1	BODY	BRASS	NICKEL

TITLE: BNC MALE CRIMP(75 ohm(FOR RG59))

PART NO:

DRAWING NO: