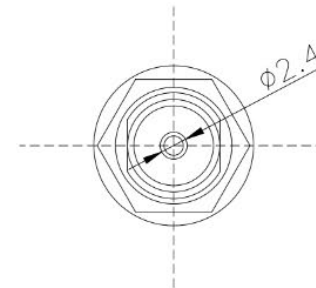
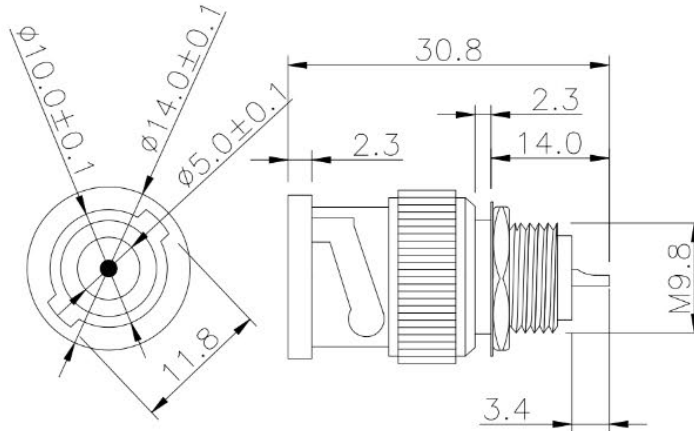



Data Sheet

BNC connector male, vertical 50Ω



Cable group: RG 58C/U, RG 59, RG 62A/U, RG 174
 Impedance: 50Ω
 Connection: Soldering
 Closure type: Bayonet
 Material: Brass nickel plated
 Insulation material: PTFE

A	ISSUE		2022.5.14
REV	ECN NO	DESCRIPTION	DATE
DESCRIPTION			
GENERAL TOLERANCE		CUS P/N:	DRAWING
X	+0.30	X*	+2.0°
X	+0.70	X*	+1.0°
XX	+0.10	XX*	+0.5°
THIRD ANGLE PROJECT		SCALE	SHEET
		NONE	1/1
		UNIT	REV
		MM	A