

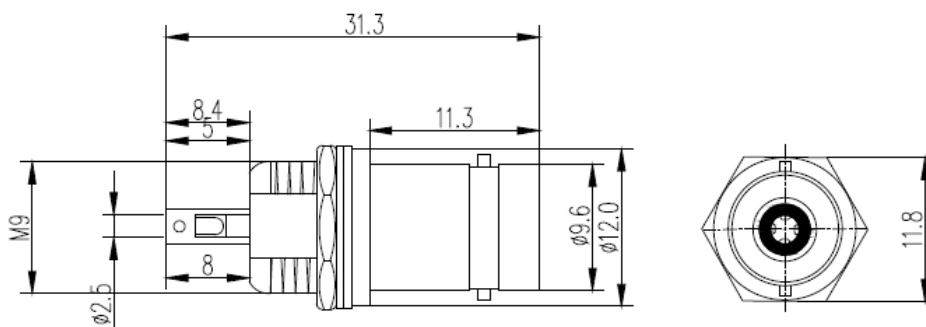


Data Sheet - TRU Components

BN: 3221481

Last updated: 3 Oct 2024

BNC connector socket, Gold-plated soldering lug, vertical installation 50Ω



Unit: mm

Technical data:

Connector:	BNC socket
Impedance:	50Ω
Material:	Brass, nickel plated
Insulation material:	PTFE