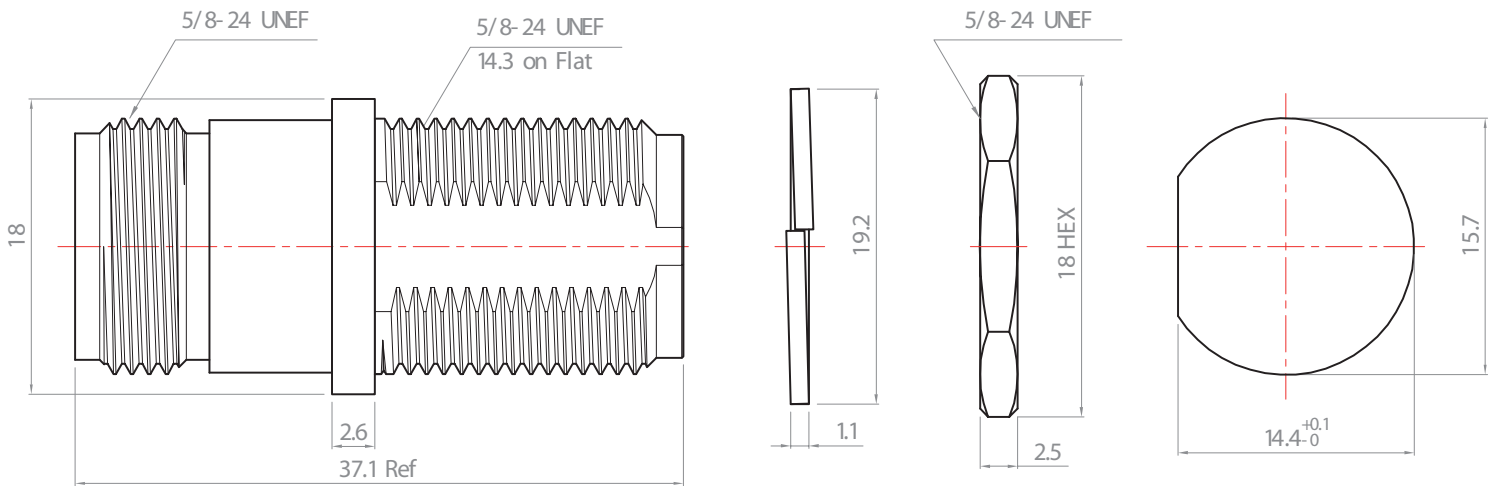


Specifications:

Finish: [Unit of Plating Thickness Is in Micro Inch(μ)]

1. Nickel Plating Thickness. : 50 μ " min. (Under Plating)
2. Gold Plating Thickness : 2 μ " max. (Over Finish 1)

Item	Description	Material	Finish
1	Body	Brass	Finish 1
2	Insulator	PTFE	None
3	Inner Contact	Brass	Finish 1/2
4	Spring Washer	Steel	Finish 1
5	Nut	Brass	Finish 1



Recommended Mounting Hole

NOTES:

1. Any Electrical, Mechanical or Environmental Test Per MIL-PRF-39012F Should be Spotlighted, As We May Not Have All Testing Equipment to Cover All of It.
2. All Metal Materials Are in Compliance with RoHS 2 Directive 2011/65/EU Annex III Section 6 Paragraph.