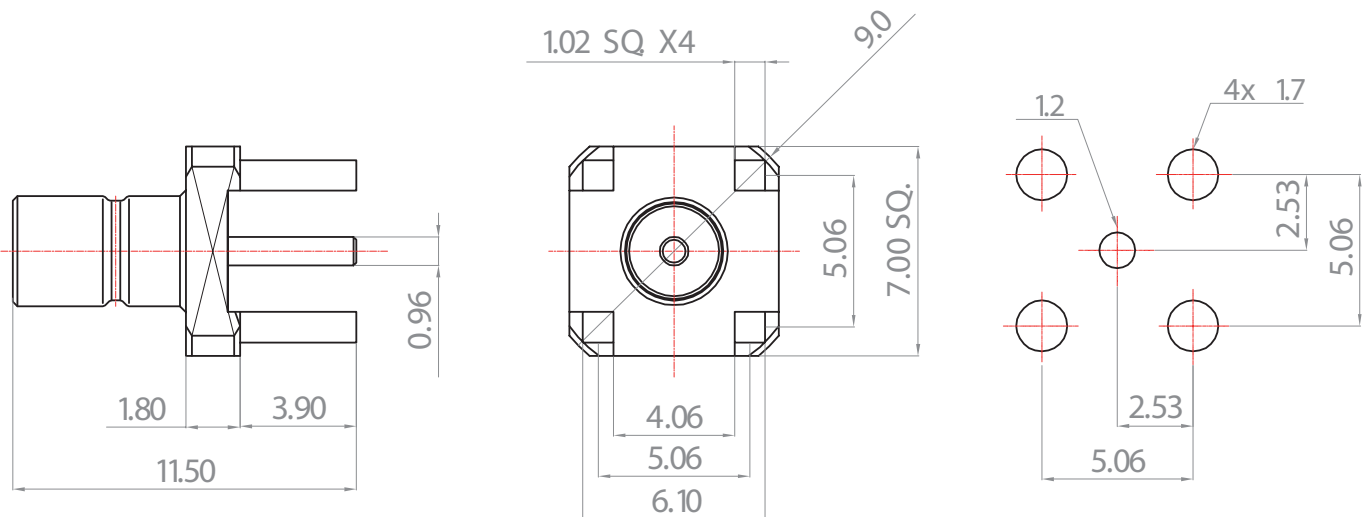
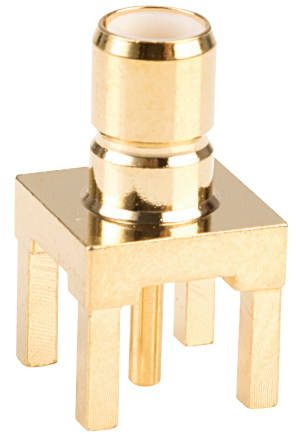


Specifications:

1. Nickel Plating Thickness : 50 μ " min. (Under Plating)
2. Gold Plating Thickness : 30 μ " min. (Over Finish 1)
3. Gold Plating Thickness : 2 μ " max. (Over Finish 1)

Item	Description	Material	Finish
1	Body	Brass	Finish 1/3
2	Insulator	PTFE	None
3	Inner Contact	Brass	Finish 1/2



Recommended PCB Layout

Electrical:

Impedance:	50 ohm
Frequency Range:	0~4 GHz
Voltage Rating:	250 V rms.(depending on cable)
Insulator Resistance:	≥ 1 G Ω
Dielectric Withstanding Voltage:	750 V rms
Contact Resistance:	Centre Contact ≤ 5 m Ω . Outer Contact ≤ 2.5 m Ω

Mechanical:

Mating:	Snap-on Coupling
Engagement Force:	≤ 14.2 lbs
Disengagement Force:	1.8~14.2 lbs

Environmental:

Temperature Range:	-65°C to 165°C
Corrosion(Salt Spray):	MIL-STD-202, Method 101, Cond. B
Thermal Shock:	MIL-STD-202, Method 107, Cond. B
Mechanical:	MIL-STD-202, Method 213, Cond
Vibration:	MIL-STD-202, Method 204, Cond. D

NOTES:

1. Any Electrical, Mechanical or Environmental Test Per MIL-PRF-39012F Should be Spot-lighted, As We May Not Have All Testing Equipment to Cover All of it.
2. All Metal Materials Are in Compliance with RoHS 2 Directive 2011/65/EU Annex III Section 6 Paragraph.