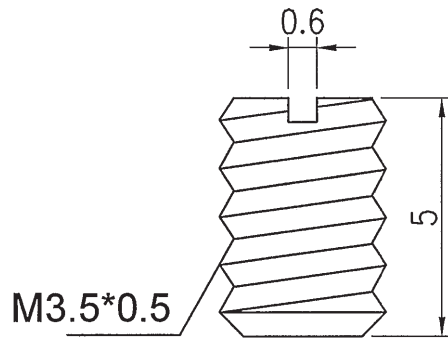


Features:

- C3602BE Ni plated
- Pack of 25



Tolerances ± 0.2 unless otherwise specified
Measurements in mm