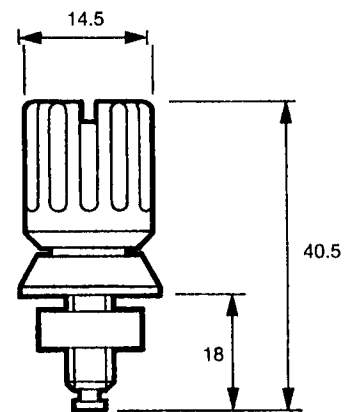
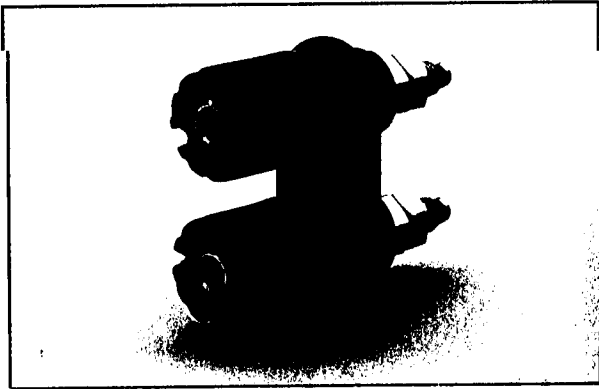


## 4mm connectors

Order code	Manufacturer code	Description
17-0860	n/a	30A RED NICKEL PLATED TERMINAL
17-0865	n/a	30A BLK NICKEL PLATED TERMINAL
17-0870	n/a	30A RED GOLD PLATED TERMINAL
17-0875	n/a	30A BLACK GOLD PLATED TERMINAL
17-0880	n/a	SINGLE WASHER KIT
17-0885	n/a	TWIN WASHER KIT
17-0887	n/a	RED BLANKING PLUG FOR TP6
17-0889	n/a	BLACK BLANKING PLUG FOR TP6
17-0902	n/a	RED MOUNTING CAP
17-0904	n/a	BLACK MOUNTING CAP

4mm connectors	Page 1 of 2
The enclosed information is believed to be correct, Information may change 'without notice' due to product improvement. Users should ensure that the product is suitable for their use. E. & O. E.	Revision A 04/07/2003

# Binding Posts



30A Terminal Posts with 4mm top & cross hole. Rugged construction with knurled top which has integral brass threaded insert to enable a secure fixing to any wires in the cross hole. Available with nickel or gold plated contacts and two lengths of rear stud.

Single and Dual (19mm Spacing) mounting kits are also available and should be ordered separately.

Blanking Plugs are also available which push-fit into the top 4mm socket. This enables compliance with current EC Low Voltage Directive banning the use of 4mm Sockets in certain applications - including Audio outputs.

A clear plastic mounting cup is also available which restricts access to the contact area around the cross hole. When used in conjunction with the blanking plug this makes the terminal virtually touchproof.