

Test clips

Order code	Manufacturer code	Description
17-2210	6606-080 RG	RED SURFACE MOUNT PROBE CLIP
17-2212	6606-080 NR	BLACK SURFACE MOUNT PROBE CLIP
17-2214	6606-080 VERT	GREEN SURFACE MOUNT PROBE CLIP
17-2220	6606-4-RG	RED SMD CLIP TO 4MM SOCKET
17-2222	6606-4-NR	BLACK SMD CLIP TO 4MM SOCKET
17-2224	6606-466-50 RG	RED SMD CLIP TO PROBE
17-2226	6606-466-50 NR	BLACK SMD CLIP TO PROBE

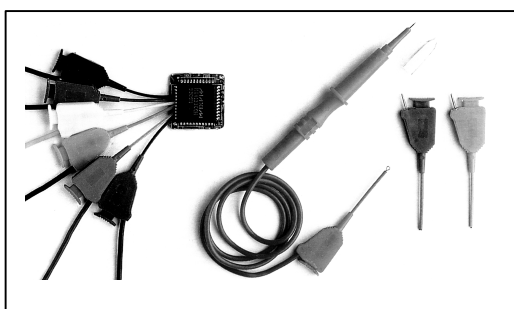
Test clips	Page 1 of 2
The enclosed information is believed to be correct, Information may change 'without notice' due to product improvement. Users should ensure that the product is suitable for their use. E. & O. E.	Revision A 04/07/2003

SMD Test Clips

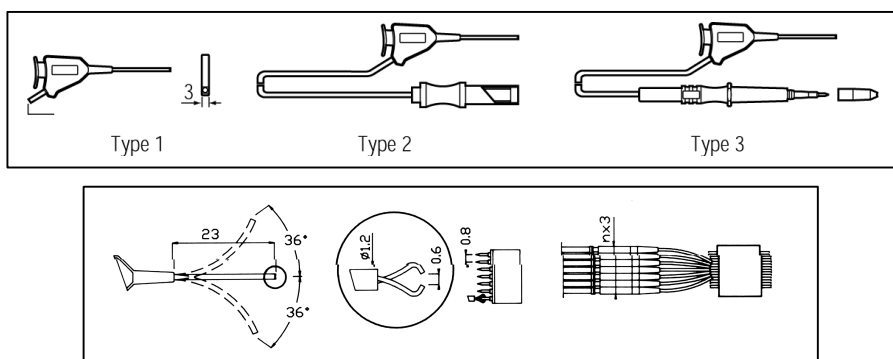
Electro PJP

A range of miniature spring loaded test clips available in a number of options specifically designed for testing of surface mount components. The flexible shaft of the spring clip can be bent up to 36° and the jaws fully rotate in the body of the clip enabling easier connection to component leads. The clips are also available ready wired with 50cm of silicone cable to 4mm safety sockets (Type 2) or wired to spring loaded probes (Type 3).

Photograph



Technical Drawing



Specification

Insulators	:	Polyamide
Contacts	:	Steel and brass Ni
Voltage	:	< 25 V.AC < 60 V.DC
Cable	:	Silicon 0.40mm ²
Maximum current	:	1 A
Temperature range	:	-20°C to +80°C - mΩ < 15

PJP Ref No.	Description	Length (cm)	Colour
6606-080-R	SMD Probe Clip	-	Red
6606-080-N	SMD Probe Clip	-	Black
6606-080-V	SMD Probe Clip	-	Green
6606-4-R	SMD Probe Clip to 4mm Socket	50	Red
6606-4-N	SMD Probe Clip to 4mm Socket	50	Black
6606-466-50-R	SMD Probe Clip to Probe	50	Red
6606-466-50-N	SMD Probe Clip to Probe	50	Black