

2mm connectors

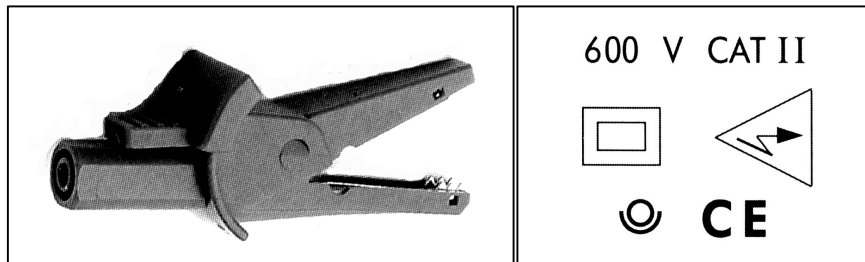
Order code	Manufacturer code	Description
17-2440	5002-IEC NR	BLACK 2MM SHROUDED CROC.CLIP
17-2442	5002-IEC RG	RED 2MM SHROUDED CROC.CLIP

2mm connectors	Page 1 of 2
The enclosed information is believed to be correct, Information may change 'without notice' due to product improvement. Users should ensure that the product is suitable for their use. E. & O. E.	Revision A 04/07/2003

2mm Shrouded Crocodile Clips

Electro PJP – Standardised IEC 1010 Version

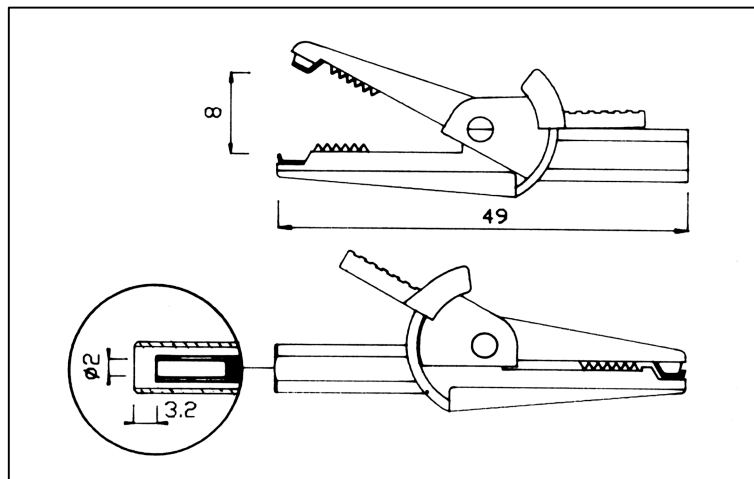
Photograph



Specification

Material jaws	:	Ni steel
Insulators material	:	Polyamide
Voltage	:	600 V Cat II
Maximum current	:	10 A
Overall contact resistance	:	< 20mΩ

Technical Drawing



PJP Ref No.	Description	Colour
5002-IEC-N	2mm Mini Insulated Crocodile Clips	Black
5002-IEC-R	2mm Mini Insulated Crocodile Clips	Red