

Lithium

Order code	Manufacturer code	Description
18-0435	T06/8AA9	AA LITHIUM TCL BATTERY

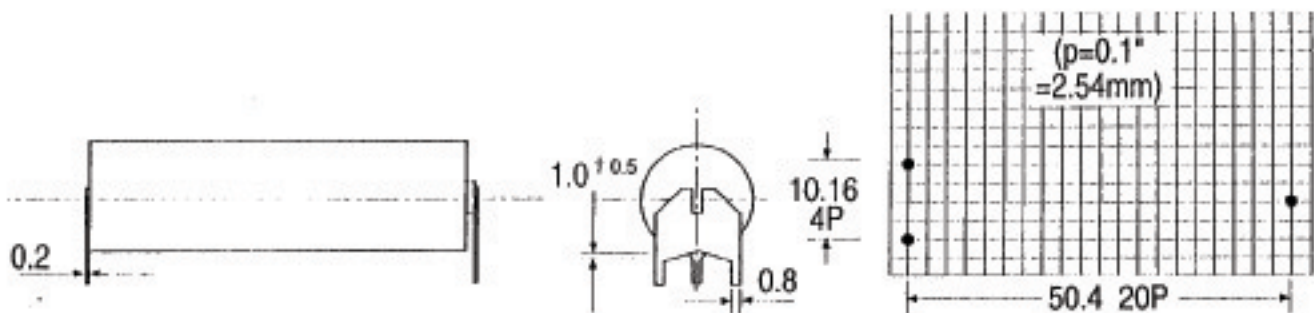
Lithium	Page 1 of 3
The enclosed information is believed to be correct, Information may change 'without notice' due to product improvement. Users should ensure that the product is suitable for their use. E. & O. E.	Revision A 04/07/2003

MECHANICAL DATA

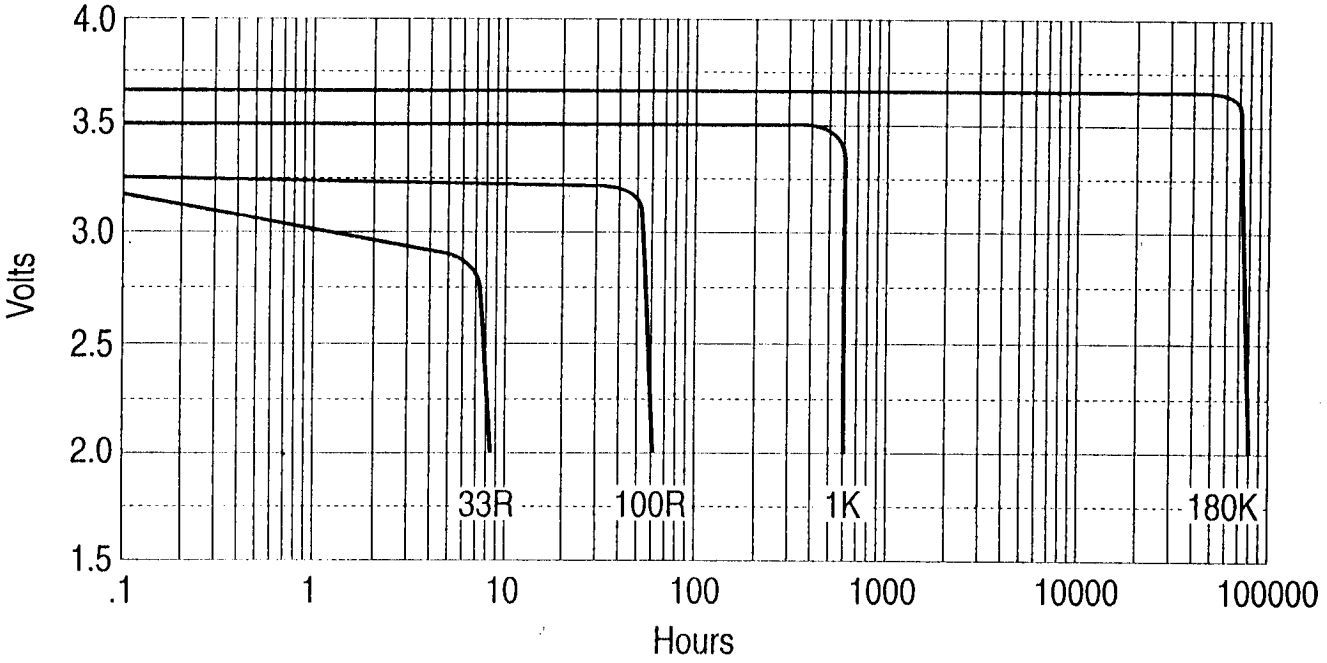
<i>Designation</i>	AA, R6
<i>Length</i>	50.5mm
<i>Diameter</i>	14.5mm
<i>Weight</i>	18g
<i>Construction</i>	Hermetically sealed, all welded, with glass/metal lead-through essentially non pressurised
<i>Terminations</i>	Button top Standard PC pin outs Solder tags Special options

ELECTRICAL DATA

<i>Voltage</i>	Nominal 3.7 volts Typical operating 3.2–3.65 v
<i>Capacity (16 mA to 2.0v)</i>	2.0 Ah
<i>50% capacity achieved at</i>	60 mA
<i>Maximum abusive charge current</i>	10 μ A
<i>Energy density—Gravimetric</i>	up to 420 Wh/Kg
<i>—Volumetric</i>	up to 800 Wh/dm ³
<i>Temperature range</i>	–55°C + 70°C
<i>Shelf life</i>	10 years
<i>Self discharge</i>	Typical 2% p.a. first 10 years



DISCHARGE PROFILES AT 20°C



DISCHARGE PROFILES AT 1K

