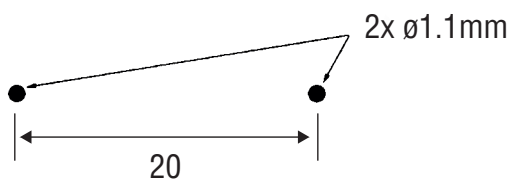
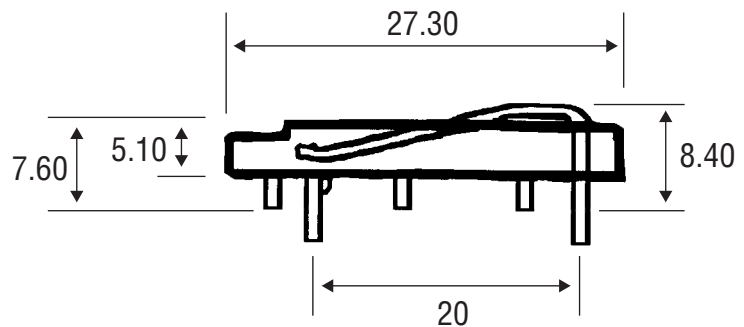
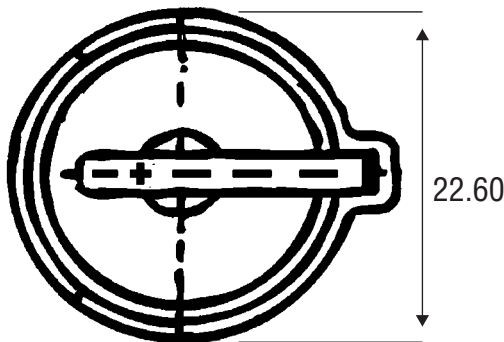


Materials:

- 1. Housing Valox 420 SEO (30%)
Colour: Black
- 2. Positive & Negative Contact "PBR05190" Phosphor Bronze 0.6mm Thick
Tin Plated



Dimensions (mm)



PCB LAYOUT

