



2x 'AA' Cell Holders with Flying Leads

Order code: **18-0562**

Specification:

Plastic material: polypropylene, PP-1040

Flammability rating: UL94-HB, UL File No. E216959

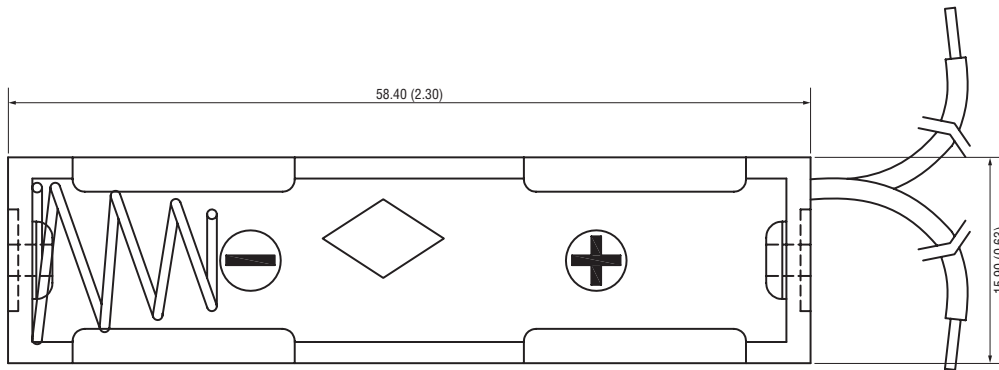
Temperature range: -10°C to $+100^{\circ}\text{C}$

Springs: spring steel, nickel plated

Rivets: brass, nickel plated

9V Snaps: brass, nickel plated

Contact resistance: under $50\text{m}\Omega$ for +/- contacts per EIA-540J000



Tolerances	mm (inches)
Decimal	± 0.5 (0.020)
Fractional	± 0.8 (0.030)
Angular	$\pm 3^{\circ}$

