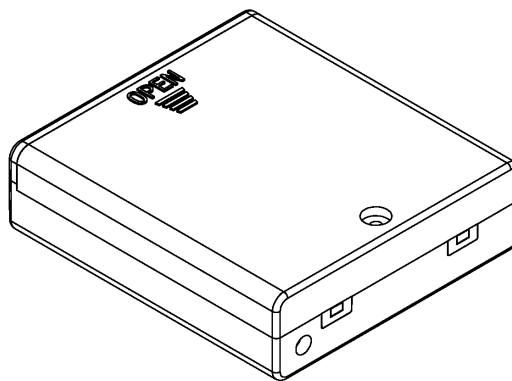
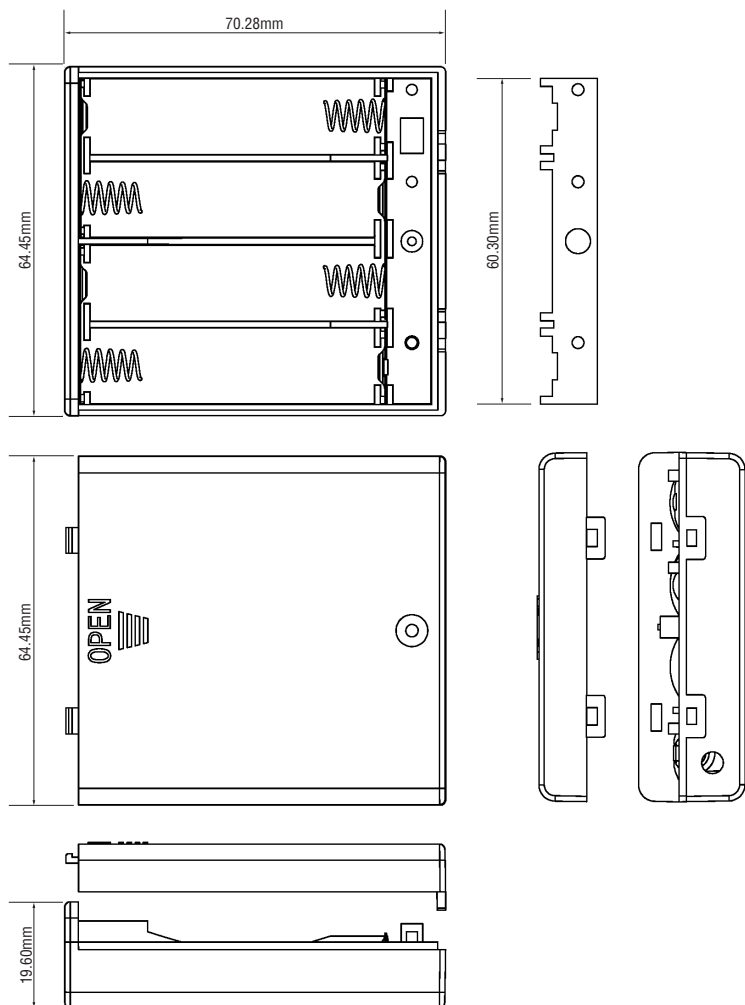




Battery Holder 4x AA with Flying Leads and Switch

Order code: **18-0594**



Specification:

Plastic Material: Polypropylene

Flammability Rating: UL94 HB, UL File No. E216959

Temperature Range: -10°C to +100°C

Springs: Nickel plated spring steel

Wire: 152.4mm long 26 AWG, UL1007, CSA - TR-64, 300V, 80°C

Rivets: Brass, nickel plated

Contact Resistance: Under 50m for +/- contacts per EIA-540J000

www.rapidonline.com