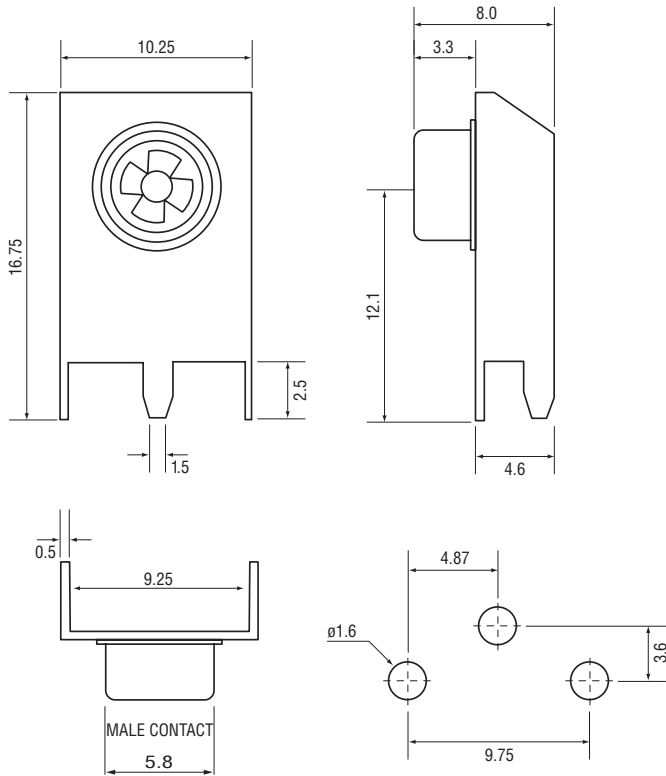


PCB Battery Clip 9V -ve

Order code: **18-0597**



Specification:

1. Item number: 9V-3 negative
2. Snap terminal
3. Material: Brass nickel plated
(Thickness: 0.5mm)

