



- Universal Input 100~240VAC 50/60Hz
- UL/IEC/EN 62368-1 Approved
- Compliant to LVD & EMC safety standards
- RoHS & CE Directive Compliant
- Level VI efficiency
- OVP, OCP, OTP & Short Circuit Protection

The purpose of the document is to specify a Single-phase AC input, single output switching power supply. This specification is suitable for: 15DYS818-xyW-Z 12W Series. This product is AC to DC switching power supply, it can provide 5-24V 18W max DC output constant voltage source. This Specification defines the input, output, performance characteristics, environment, noise and safety requirements.

Models

Model Number	Output Voltage	Output Current	Output Power
15DYS818-050300W-z	5V DC	3A	15W
15DYS818-090200W-z	9V DC	2A	18W
15DYS818-120150W-z	12V DC	1.5A	18W
15DYS818-150120W-z	15V DC	1.2A	18W
15DYS818-180100W-z	18V DC	1A	18W
15DYS818-240075W-z	24V DC	0.75A	18W

'z' can be: 1 = US, 2 = EU, 3 = UK, AUS = 4

Input Data

	Min	Typical	Max	Units	Notes
Input Voltage	90		264	V AC	100-240VAC +/- 10%
Input Frequency	47		63	Hz	50-60Hz +/- 5%
Input Current		0.5		A	
Inrush Current	0		60	A	At cold start, 100 / 240V AC
Leakage Current			0.25	mA	

Output Data

	Min	Typical	Max	Units	Notes
Output Voltage tolerance	3		6	%	
Ripple & Noise	1		3	%	
Over Current Protection					Typically 115-135% of Rated Current
Short Circuit Protection					Continuous short circuit proof. Will recover if fault condition is removed
Over Voltage Protection					Will recover if fault condition is removed

Environmental Data

	Minimum	Typical	Maximum	Units	Notes
Operating Temperature	0		+45	°C	
Storage Temperature	-20		+80	°C	
Operating Humidity	10		90	%	Operating 10% to 90%
Storage Humidity	5		95	%	Storage 5% to 95%

Other Information

	Minimum	Typical	Maximum	Units	Notes
Isolation					2KVdc, between primary and secondary circuit
MTBF		50,000		hrs	
Weight				200 +/-10g	
Dimensions					Refer to mechanical drawings

EMC Emissions (2014/30/EU)

	Standard	Test Level	Criteria	Notes
Conducted	EN 55032	Pass	B	EMC Directive 2014/30/EU
Radiated	EN 55032	Pass	B	
Harmonic Standard	EN 61000-3-2		Class D	P.F. shall >0.95 @100Vac input and >0.9 @240Vac input

EMC Immunity (2014/30/EU)

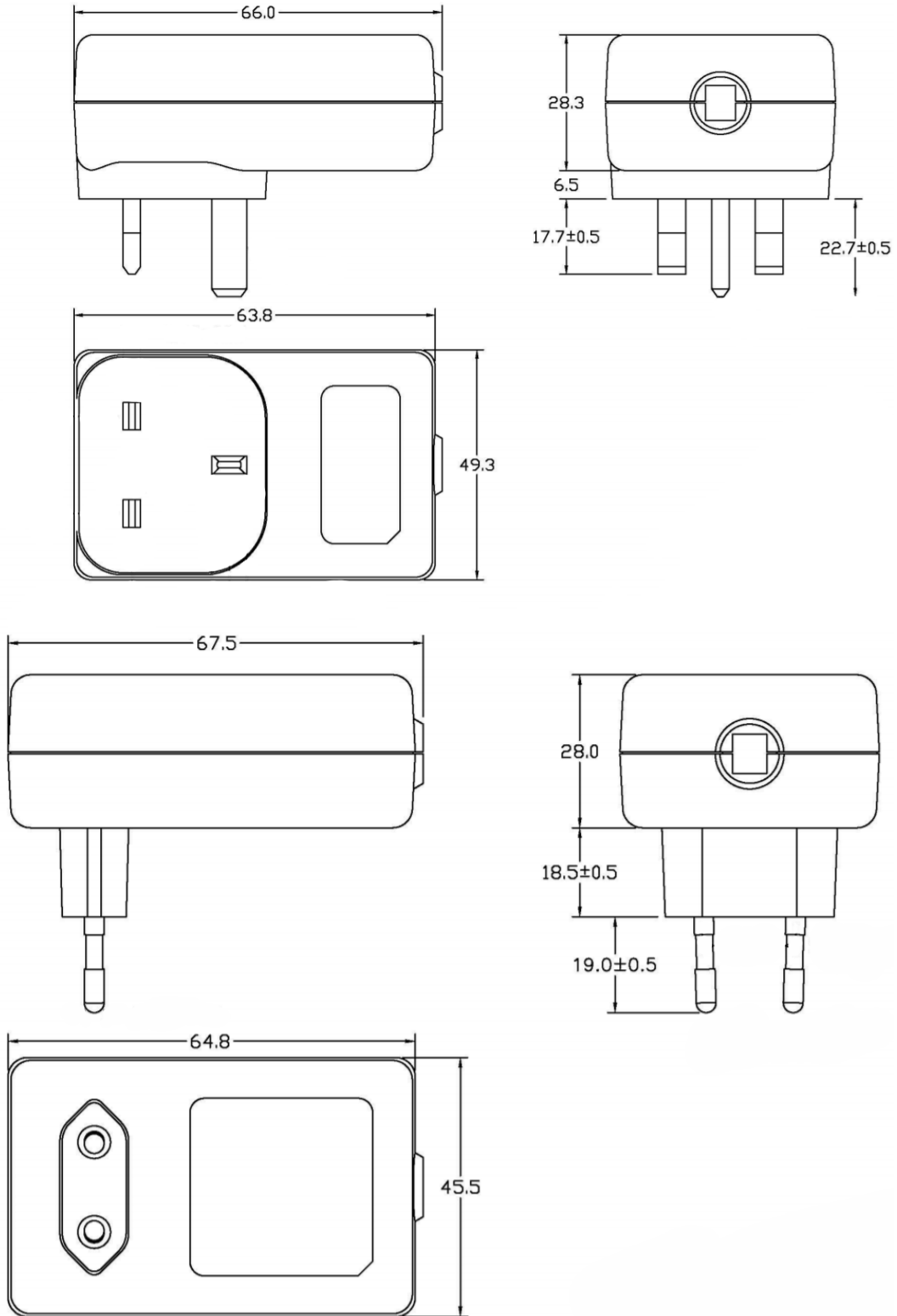
	Standard	Test Level	Criteria	Notes
EMS	EN 55035			
EMS	EN 61204-3			
ESD	IEC 61000-4-2		B	Contact: +/- 4KV; Air: +/- 8KV
RS	IEC 61000-4-3			Frequency: 80-1000MHz; Field Strength: 3V/M ' 80% AM (1KHz)
EFT	IEC 61000-4-4		A/B	0.5/1.0KV on input AC power ports
Surge	IEC 61000-4-5		A	Line to Line: +/- 1KV (peak); Line to F.G: +/- 2KV (peak)
Conducted				
PFMF				
Dips and Interruptions				

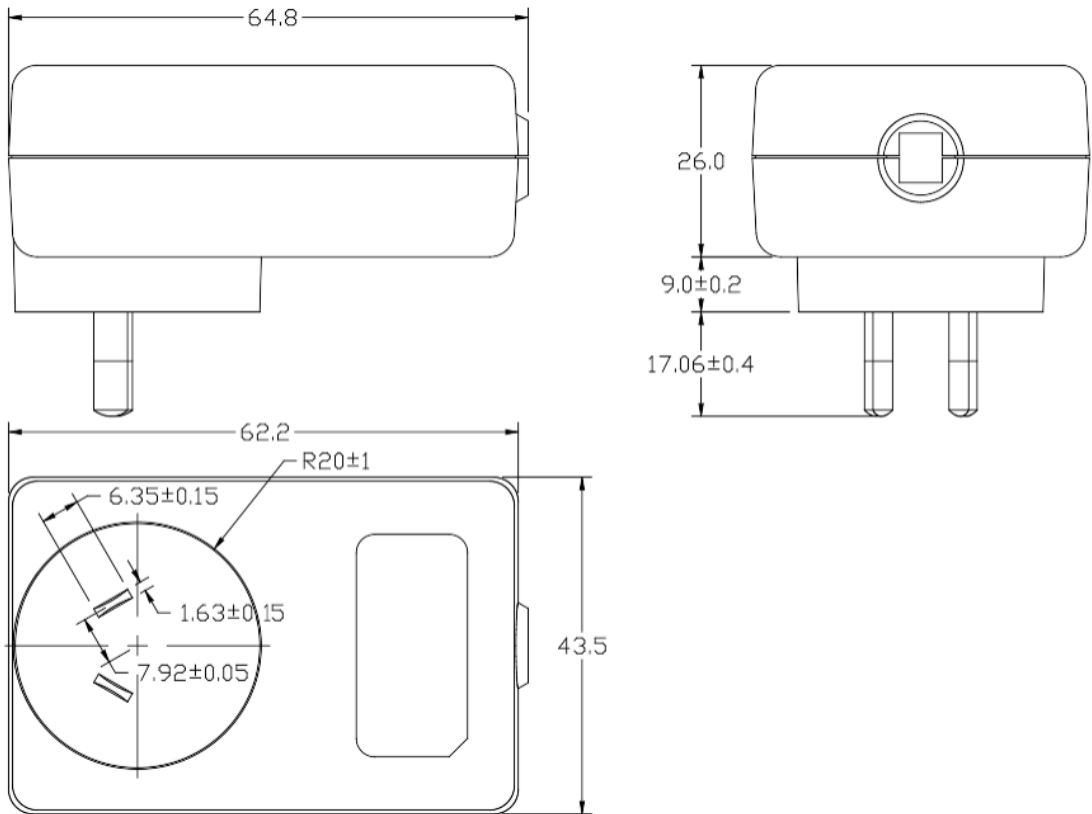
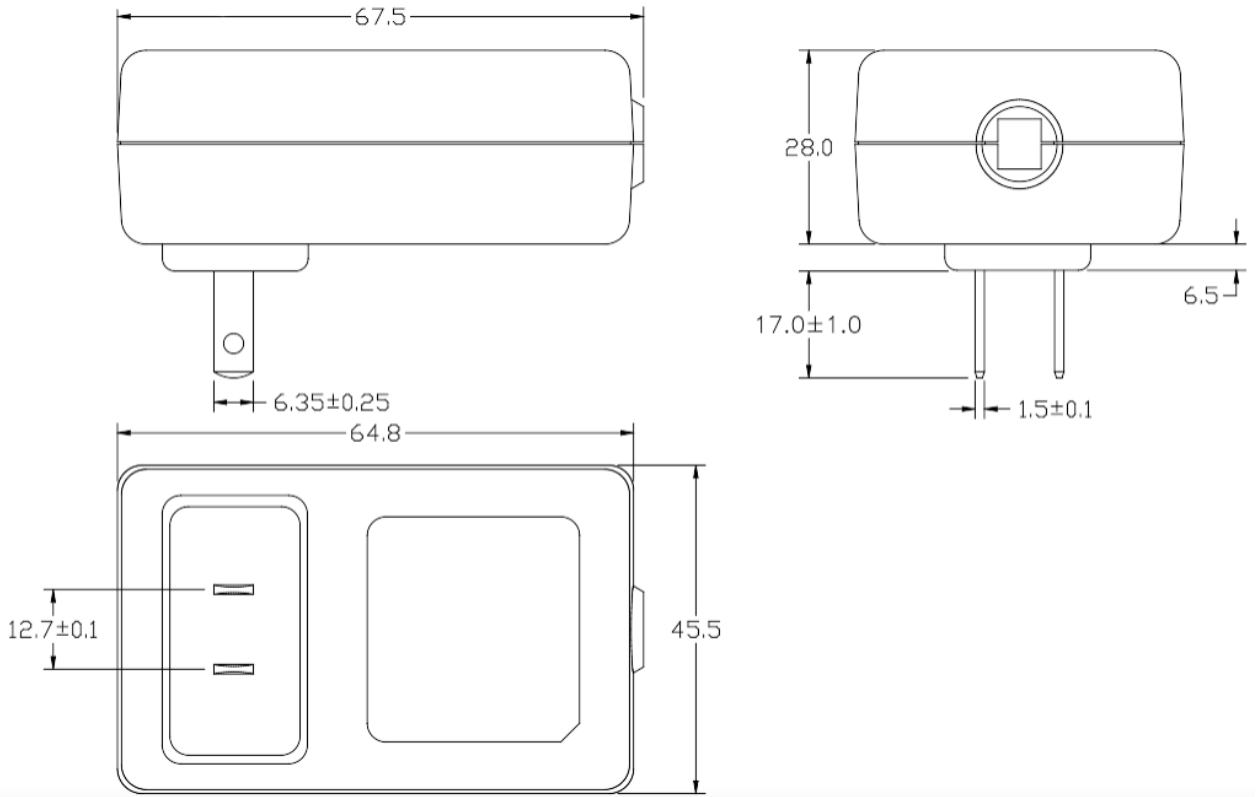
Safety Approvals

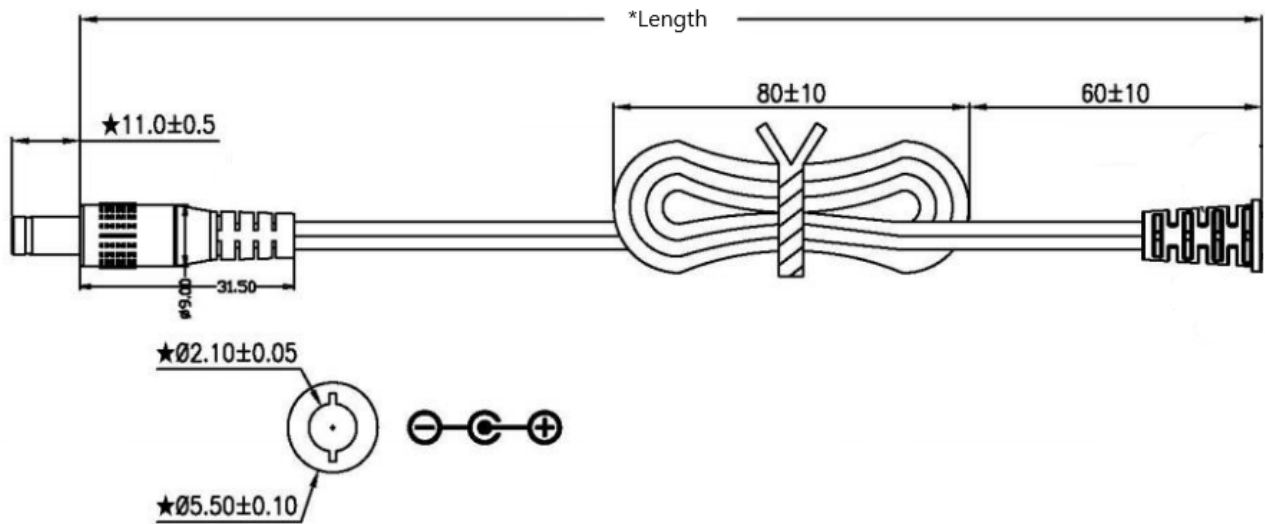
Safety Standards

RoHS/REACH	RoHS Directive (EU) 2015/863 & REACH (205 SVHC)
CE LVD Directive 2014/35/EU	Yes (UK/European) – Only applicable for UK & EURO plugs. (-1) (-2)
cULus	Yes – Only applicable for US plug. (-1)
TUV	Yes (German/European) – Only applicable for EURO plug. (-2)
RCM & C-Tick	Yes – Only applicable for Australian plug. (-4)

Mechanical Drawing







Model No	Output Cable
15DYS818-050300W-z	1.5m UL2468
15DYS818-090200W-z	1.5m UL2468
15DYS818-120150W-z	1.5m UL2468
15DYS818-150120W-z	1.5m UL2468
15DYS818-180100W-z	1.5m UL2468
15DYS818-240075W-z	1.5m UL2468