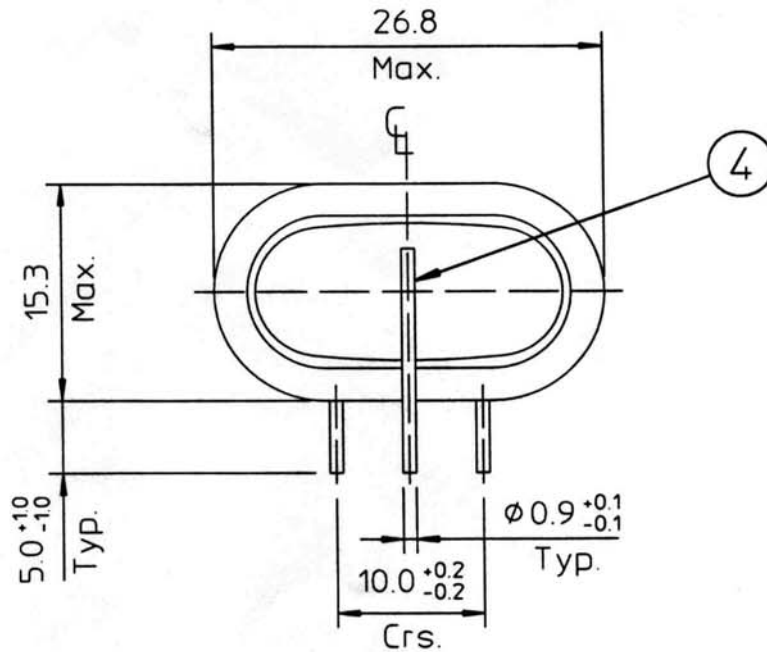
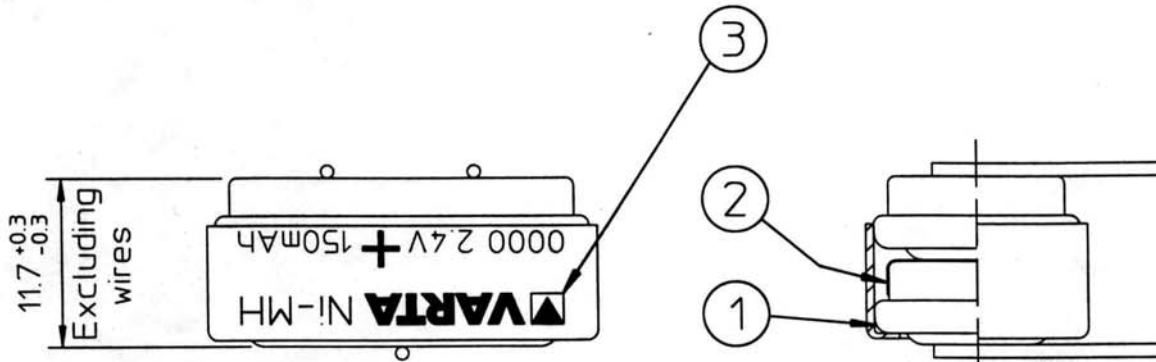


## Nickel Hydride

Order code	Manufacturer code	Description
18-1565	063705	2.4V 150MAH NICKEL HYDRIDE CELL (RE)

Nickel Hydride	Page 1 of 2
The enclosed information is believed to be correct, Information may change without notice due to product improvement. Users should ensure that the product is suitable for their use. E. & O. E.	Revision A 20/02/2007



			SCALE:- 2:1	TOLERANCE:-	TITLE:- 2/V150H BATTERY
			MATERIAL:- SEE BOM		
			DRAWN PPG	31/03/98	VKB No. 55615602940
01	DORN 2349PPG		CHECKED	6.4.98	edm
ISSUE	MODIFICATION	DATE	APPROVED	6.4.98	DRG.No. 063705
DIST:- 0, 1, 11, 12, 12.1, 2, 2.1, 2.1.1, 2.1.2, 2.1.3, 2.1.4, 2.1.5, 2.1.6, 2.1.7, 2.1.8, 2.2, 2.2.1, 2.2.2, 2.3, 4, 5.1, 5.2, 5.3, (54) 5.5, 5.6, 5.7					