

Alkaline

Order code	Manufacturer code	Description
18-3260	MN1500B	PK 4 MN1500B AA ALKALINE BATT. (RE)
18-3262	MN1500BK12	PK12 MN1500B AA ALKALINE BATT. (RE)
18-3350	MN1500	PK 10 MN1500 AA PROCELL BATT. (RE)

Alkaline	Page 1 of 3
The enclosed information is believed to be correct, information may change 'without notice' due to product improvement. Users should ensure that the product is suitable for their use. E. & O. E.	Revision A 12/12/2006

Batteries

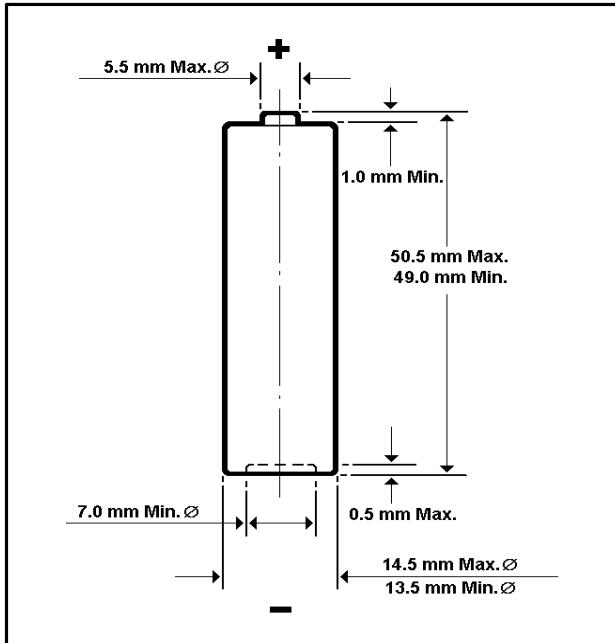
Duracell AA Size Alkaline Batteries

Packs of 4 and 12
standard Duracell
AA size alkaline
batteries



Pack of 10 Procell
branded Duracell
batteries. Electrically
and physically
identical to standard
Duracells but
branded to reduce
pilferage in
organisations. Not
available in retail
outlets.





SPECIFICATIONS

Min. No Load Voltage	1.5V
Min. On Load Voltage	1.35V on 4.7Ω at 200ms
Rated Capacity	2700 mAh on 75Ω to 0.8V
Min. Life	6.8 Hrs on 3.9Ω 1 Hr/day to 0.8V
Volume	7.6 cm ³
Weight	22g

Typical Discharge Characteristics

