

Alkaline

Order code	Manufacturer code	Description
18-3458	MN1400K2	PK2 MN1400 C ULTRA BATTERY

Alkaline	Page 1 of 3
The enclosed information is believed to be correct, Information may change 'without notice' due to product improvement. Users should ensure that the product is suitable for their use. E. & O. E.	Revision A 04/07/2003

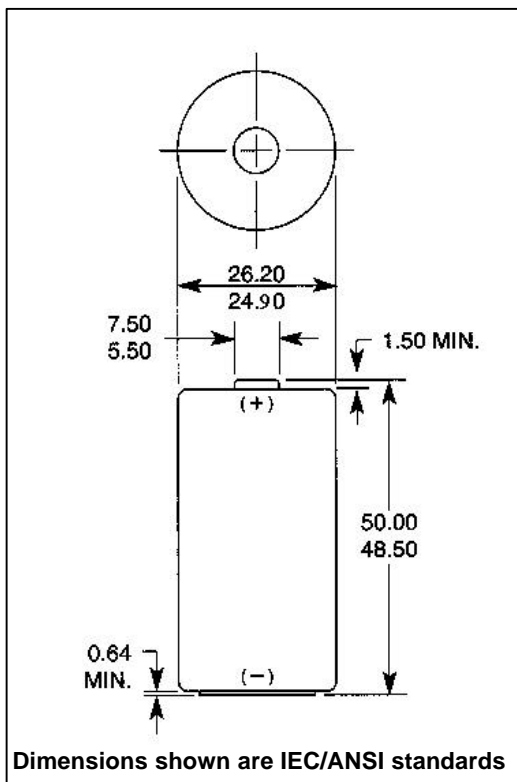


MX1400

Size: C (LR14)

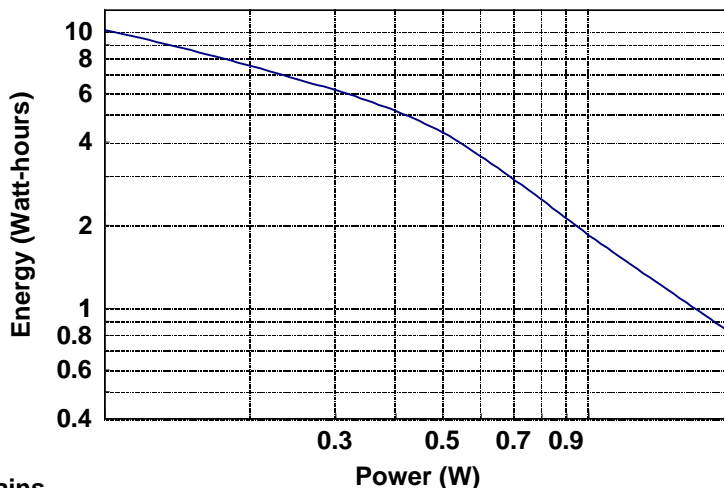
Alkaline-Manganese Dioxide Battery

Zn/MnO₂

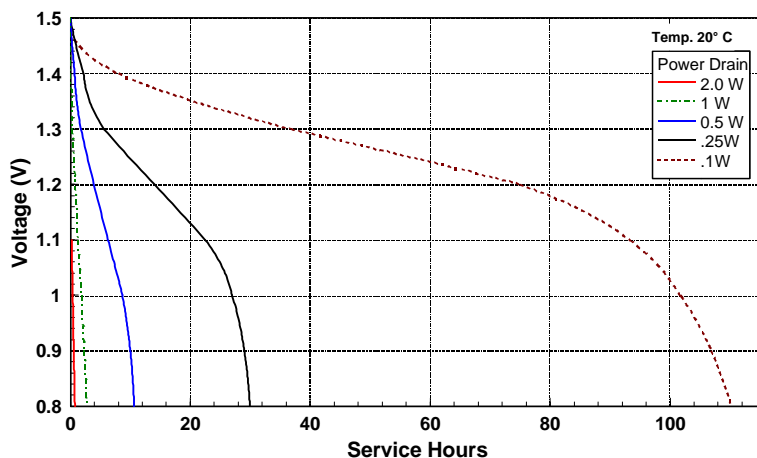


Nominal Voltage:	1.5V
Nominal Internal Impedance	TBD
Nominal Weight:	65.0g (2.29oz.)
Nominal Volume:	26.9 cm ³ (1.64 in. ³)
Terminals:	Flat
Operating Temp. Range:	-20°C to 54°C (-4°F to 130°F)
NEDA/ANSI IEC	14A LR14

Delivered Energy vs Power Drain
@ 20°C to 1.0V



Discharge Characteristics at Various Power Drains



Delivered capacity is dependent on the applied load, operating temperature and cut-off voltage. Please refer to the charts and discharge data shown for examples of the energy / service life that the battery will provide for various load conditions.



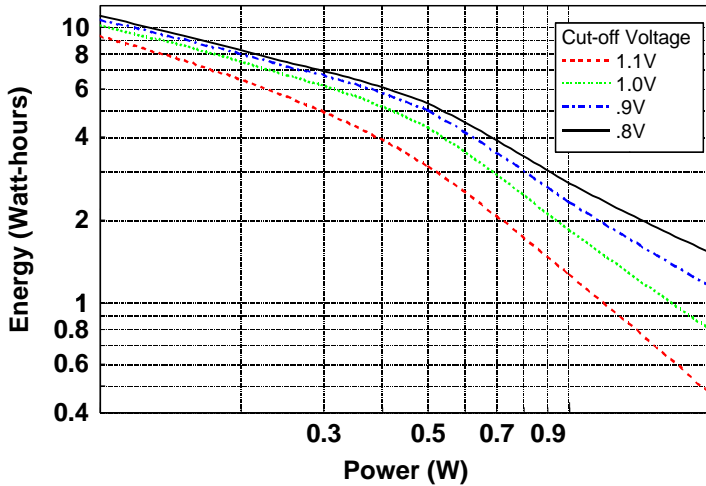
MX1400

Size: C (LR14)

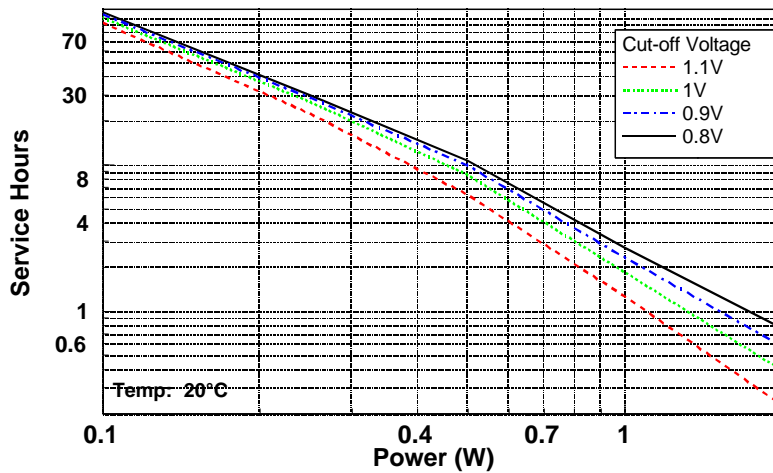
Alkaline-Manganese Dioxide Battery

Zn/MnO₂

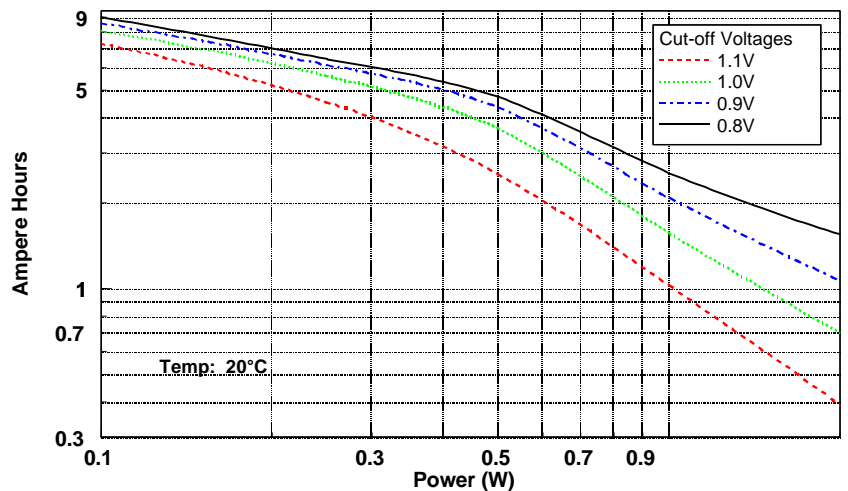
Delivered Energy vs Power Drain
@ 20°C to Various Cut-off Voltages



Service Hours vs Power Drain
@ Various Cut-off Voltages



Delivered Capacity vs Power Drain
At Various Cut-off Voltages



DURACELL
BATTERIES

Berkshire Corporate Park
Bethel, CT 06801 U.S.A.
Telephone: Toll-free 1-800-431-2656
Facsimile: 203-796-4209
Internet: www.duracell.com

This data is subject to change. Contact Duracell for the latest information

13/02/00