

## Boxes and Holders

Order code	Manufacturer code	Description
18-3610	n/a	12MM SINGLE COIN CELL HOLDER
18-3615	n/a	12MM DUAL COIN CELL HOLDER
18-3620	n/a	16MM SINGLE COIN CELL HOLDER
18-3625	n/a	20MM DUAL COIN CELL HOLDER
18-3630	n/a	23MM SINGLE COIN CELL HOLDER

Boxes and Holders	Page 1 of 2
The enclosed information is believed to be correct, Information may change 'without notice' due to product improvement. Users should ensure that the product is suitable for their use. E. & O. E.	Revision A 04/07/2003

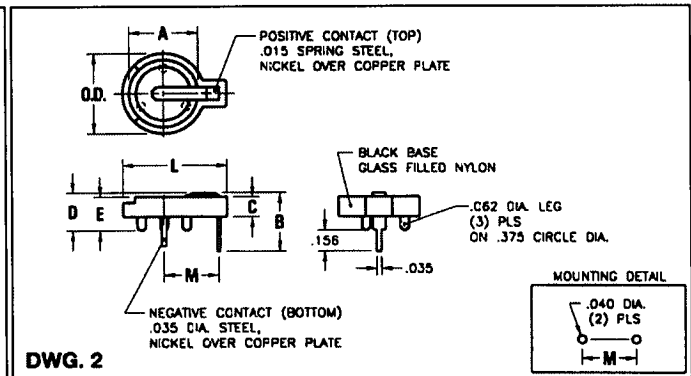
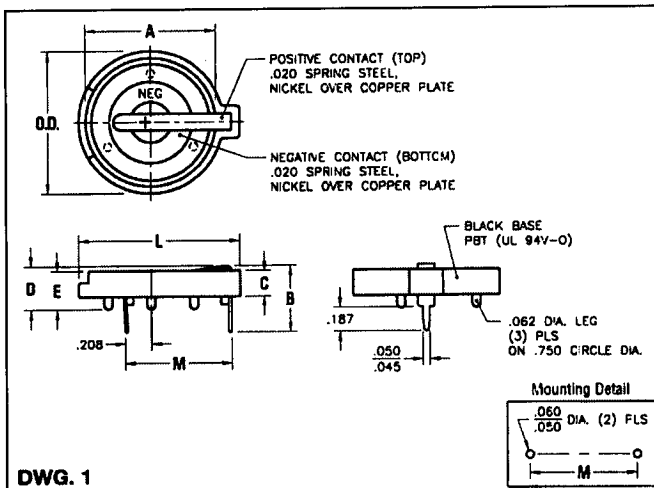
## Coin Cell Holders

### Keystone

Cells are held in position by the positive contact and connect with a negative contact in the base of the holder. Available to suit 12, 16, 20 and 23mm diameter cells. 12 and 20mm versions are also available in dual format, holding two cells for applications requiring 6V backup power.

### Features

- Low profile for high density packaging
- Reliable spring tension assures low contact resistance
- Retains battery securely to withstand shock and vibration
- Unique notched slots assure quick and easy battery insertion and replacement
- Base material UL rated 94V-0. Impervious to most industrial solvents
- Operating temperature range: -60°F to +295°F (-50°C to +145°C)
- Advanced air-flow design pattern enhances air circulation around battery
- Nickel-over-copper plated spring steel contacts feature clearly marked polarities to help guard against improper insertion



Keystone Code	Dwg. No.	No. of Cells	Dimensions								
			A	B	C	D	E	L	O.D.	M	Cell Ø
500	2	1	0.495	0.435	0.150	0.280	0.250	0.750	0.593	0.393	12 mm
501	2	2	0.495	0.505	0.250	0.380	0.350	0.750	0.593	0.393	12 mm
502	2	1	0.635	0.505	0.150	0.312	0.250	0.897	0.750	0.463	16 mm
1026	1	2	0.796	0.630	0.312	0.452	0.412	1.219	1.093	0.807	20 mm
104	1	1	0.911	0.513	0.195	0.335	0.295	1.150	1.000	0.807	23 mm