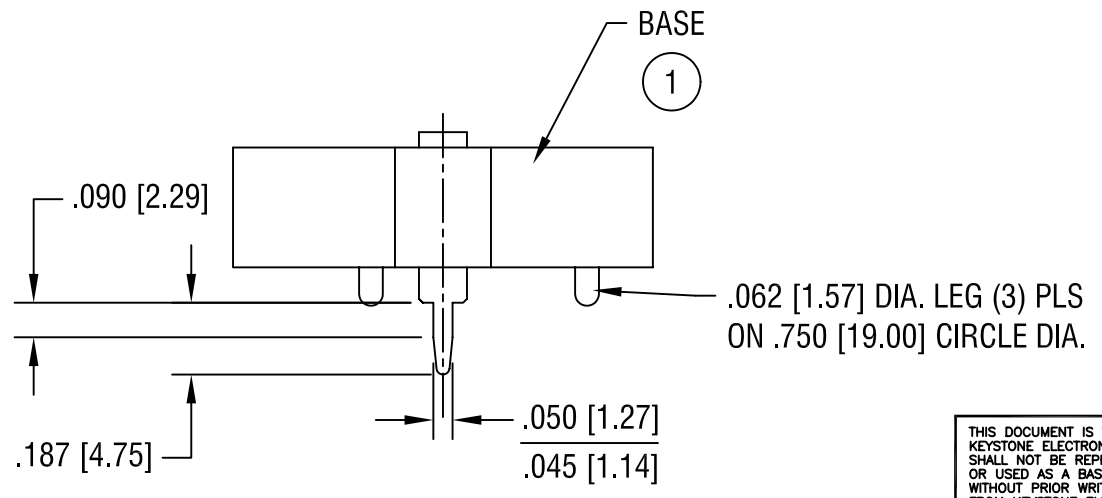
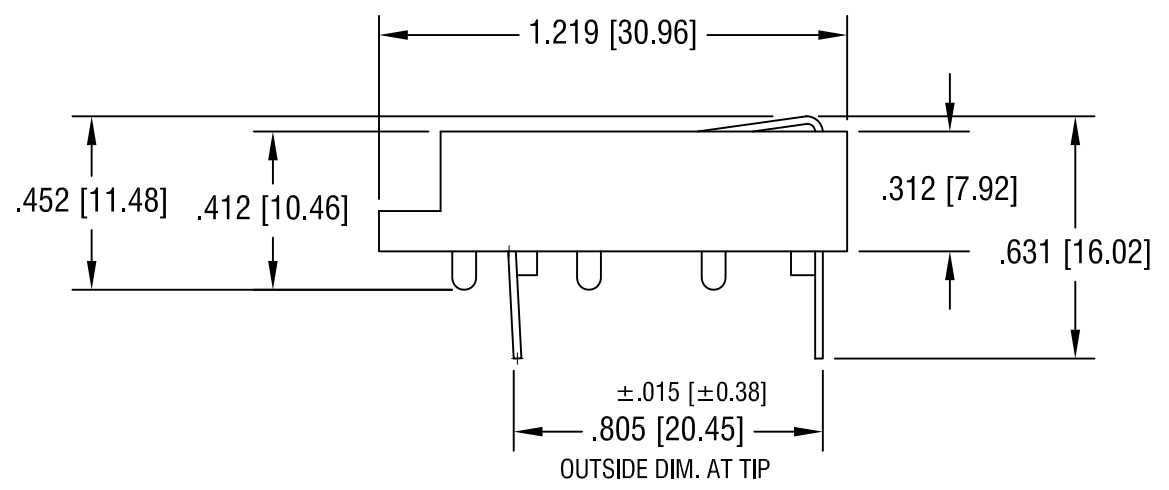
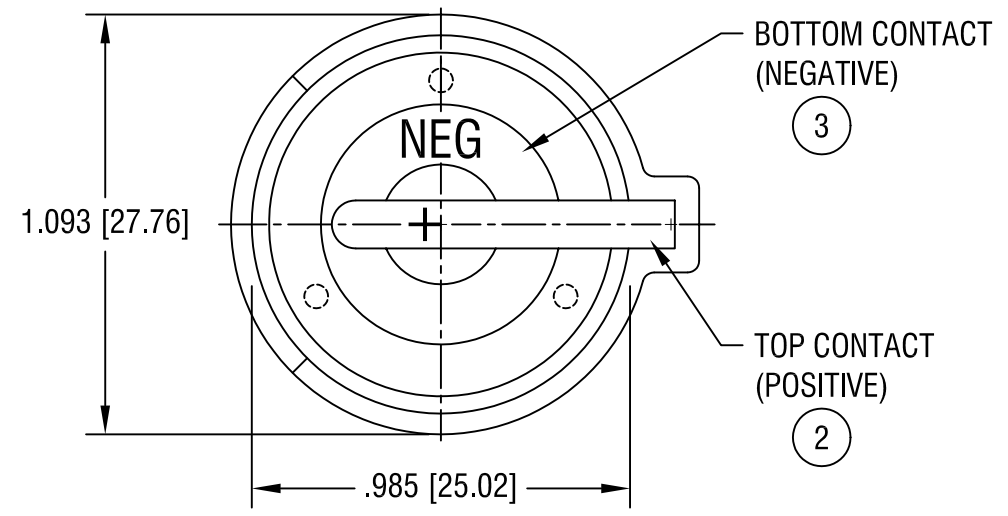


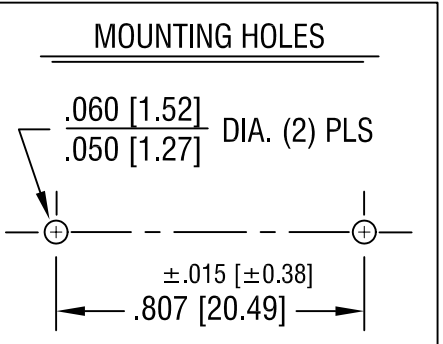
Order code	Manufacturer code	Description
18-3626	n/a	24MM DUAL LITHIUM COIN CELL HOLDER

	Page 1 of 2
The enclosed information is believed to be correct, Information may change 'without notice' due to product improvement. Users should ensure that the product is suitable for their use. E. & O. E.	Revision A 04/07/2003

DATE	DESCRIPTION	REV.
9.20.04	CHANGE AS PER ECN 04-115	C



THIS DOCUMENT IS THE PROPERTY OF KEYSTONE ELECTRONICS CORP. AND SHALL NOT BE REPRODUCED, DISTRIBUTED OR USED AS A BASIS FOR MANUFACTURE WITHOUT PRIOR WRITTEN PERMISSION FROM KEYSTONE ELECTRONICS CORP.



ITEM	DESCRIPTION	MATERIAL/FINISH
1	BASE BLACK	PBT (UL 94V-0)
2	TOP CONTACT	SPRING STEEL .020 [0.50] TH'K
3	BOTTOM CONTACT	TIN NICKEL PLATE

KEYSTONE ELECTRONICS CORP.
ASTORIA, N.Y. 11105-2017

PART NAME
COIN CELL PC BATTERY HOLDER

MATERIAL
AS NOTED

FINISH AS NOTED	DRN BY BOONE	DATE 8.15.84
	APPD	SCALE 2X

TOLERANCES INCH [MM]
DECIMAL ±.010 [±0.25]
ANGULAR ± 1°
UNLESS OTHERWISE SPECIFIED

CODE
C

DWG NO.
1025