

The supplier acknowledges that, with the acceptance of this drawing, he is a participant in manufacturing the corresponding part in accordance with the drawing's interpretation. He is responsible for the interpretation of the drawing. The supplier's responsibility is not affected by the fact that the drawing is not a technical drawing. The supplier is responsible for the interpretation of the drawing.

Technische Daten/
 technical data : Akkupack/
 batterypack
 Chemie/
 chemistry : Lithium Ion
 Zellenzahl/
 no. of cells : 3 Zellen/ cells ; 1S3P
 Zellentyp/
 cell type : INR18650 LGC MJ1
 Kapazität/
 capacity : nom. 10500mAh discharge at 0.2C
 min. 10050mAh discharge at 0.2C
 ta20°C; EV(Discharge End Voltage): 2.5V per cell
 Innenwiderstand/
 impedance : < 100mOhm (battery and safetyboard)
 Nominalspannung/
 nominal voltage : 3.635V
 Standard Ladespannung/
 standard charge voltage : 4.2V±1%
 Standard Entladespannung/
 standard discharge voltage : 2.5V
 Nominale Ladestrom/
 nominal charge current : 3000mA (limited by safetyboard)
 Maximaler Ladestrom/
 maximum charge current : 3000mA (limited by safetyboard)
 Ladeendstrom/
 charge end current : 0.01C recommended
 Maximaler Entladestrom/
 maximum discharge current : 3000mA (limited by safetyboard)
 Anwendungstemperaturbereich/
 ambient temperature range : 0°C...+45°C charge
 -20°C...+60°C discharge
 -20°C...+30°C storage max. 1 year
 -20°C...+45°C storage max. 3months
 Selbstentladung/
 self discharge : ≤ 5% / month at20°C
 ≤ 10% / month at30°C
 ≤ 20% / month at40°C
 Standards/ : UN 3490, Subsection 38.3
 All cells and batterypacks type tested according
 to UN manual of test and criteria subsection 38.3

Technische Daten/
 technical data : Sicherheitsschaltung/
 safety board (0180-3202)

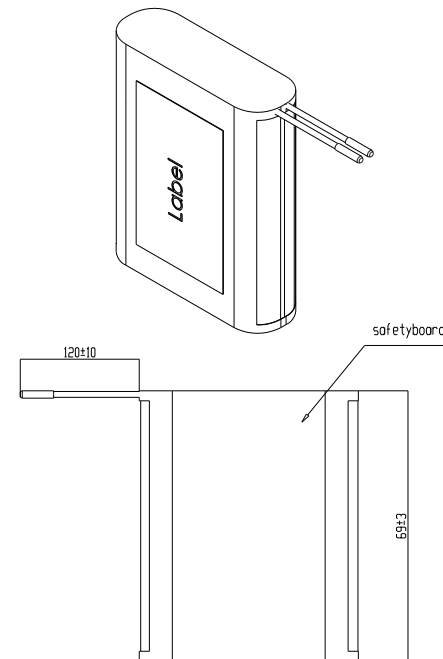
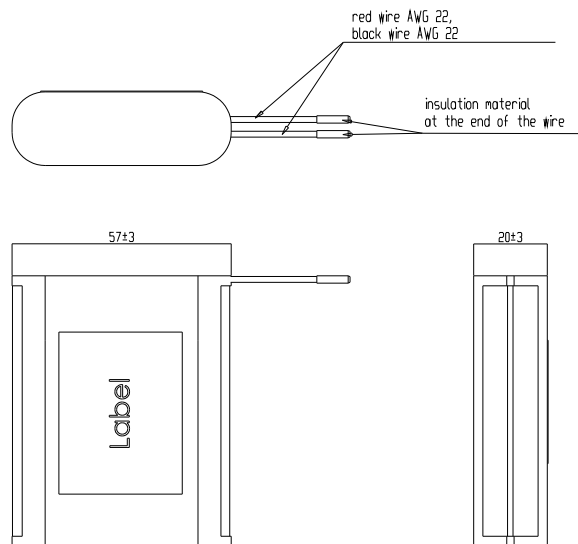
Überladeschutzspannung/
 over charge voltage detection : 4.325V±0.05V per cell
 Wiedereinschaltspannung/
 over charge release voltage : 4.075V±0.1V per cell
 Entladeabschaltspannung/
 over discharge detection voltage : 2.5V±0.1V per cell
 Wiedereinschaltspannung/
 over discharge release voltage : 2.9V±0.1V per cell
 Nominale Lade/Entladestrom/
 nominal operating current : 3A
 Entlade Abschaltstrom/
 discharge cut off current : 8.5A± 2A
 Kurzschlusschutz/
 short circuit protection : gegen äußeren Kurzschluss/
 against external short circuit
 Temperaturschalter/
 temperature switch : PTC : JK-P450 20V/4.5A at 25°C; 3.9A at 40°C
 MOSFET : in Masse
 in Gnd

Rückstellkriterium/
 release condition : Last trennen, Aktiv nach Anladen/
 cut load, release after charging up

Leiterplattenmaterial/
 pcb material : FR4

Nettogewicht/
 net weight : 148.4g

Standards : CE



batterypack covered with 2 layers of blue shrinktube

Application range for inquiry		Allowable deviation general tolerances		Tolerance principle		Model		Material		
		DIN ISO 2768-m		ISO 8015		Scale (DN A2): 1:1		All dimensions in mm		
		2016	Date	Name	Drawing name					
		Drawn by	07.11.	JX	Li-Ion-3.63V-10500mAh.1S3P-PTC/LG with safetyboard					
		Approved by			Drawing number					
V3	dimensions changed	13.04.18	DS			2447-3034-20				Sheet 1/1
V2	cable length changed	16.01.18	DS							
V1	change request DE-17-0071	14.11.17	DS							
V0	created this D/S	07.11.16	JX							
Version	Change	Date	Name	Project	IS-206-0063		Replaced by:		Replacement through:	