

The supplier acknowledges that, with the acceptance of the drawing, he is obligated to manufacture the manufactured part in accordance with the drawing. In particular, the manufacturer is responsible for the correct interpretation of the drawing. The manufacturer is responsible for the correct interpretation of the drawing. The manufacturer is responsible for the correct interpretation of the drawing.

- Technische Daten/
 technical data : Akkupack/
 battery pack
 Chemie/
 chemistry : Lithium Ion
 Zellenzahl/
 no. of cells : 3 Zellen/ cells ; 3S1P
 Zellentyp/
 cell type : INR18650 LGC MJI
 Kapazität/
 capacity : nom. 3500mAh discharge at 0.2C
 min. 3350mAh discharge at 0.2C
 ta20°C; EV(Discharge End Voltage): 2.5V per cell
 Innenwiderstand/
 impedance : < 200mOhm (battery and safetyboard)
 Nominalspannung/
 nominal voltage : 10.905V
 Standard Ladespannung/
 standard charge voltage : 12.6V±1%
 Standard Entladespannung/
 standard discharge voltage : 7.5V
 Nominale Ladestrom/
 nominal charge current : 0.5C
 Maximaler Ladestrom/
 maximum charge current : 1C
 Ladeendstrom/
 charge end current : 0.01C recommended
 Maximaler Entladestrom/
 maximum discharge current : 5000mA (limited by safetyboard)
 Anwendungsbereich/
 ambient temperature range : 0°C..+45°C charge
 -20°C..+60°C discharge
 -20°C..+30°C storage max. 1 year
 -20°C..+45°C storage max. 3months
 Selbstentladung/
 self discharge : ≤ 5% / month at20°C
 ≤ 10% / month at30°C
 ≤ 20% / month at40°C
 Standards/
 : UN 3480, Subsection 38.3
 All cells and battery packs type tested according
 to UN manual of test and criteria subsection 38.3

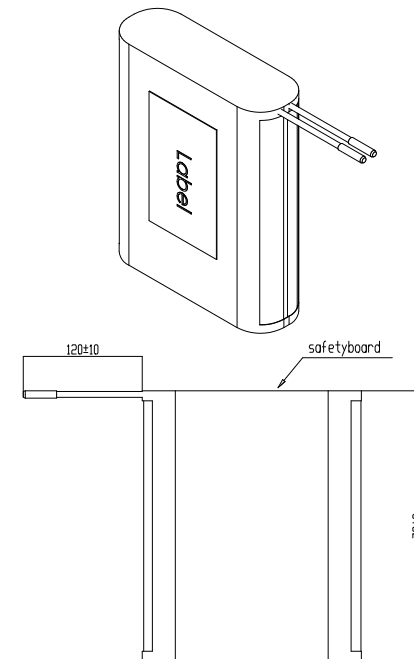
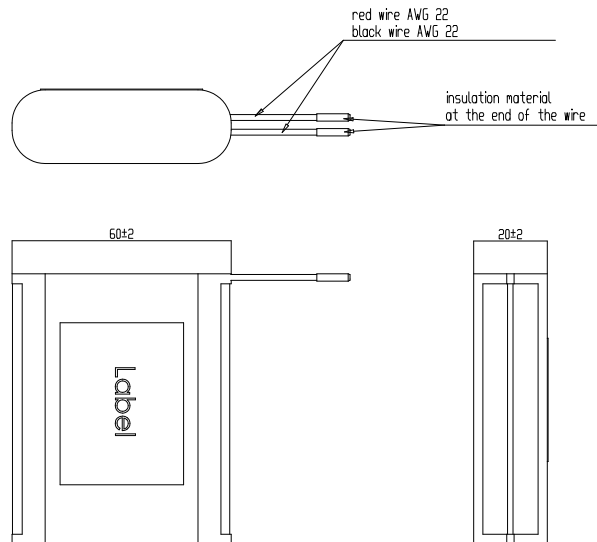
Technische Daten/
 technical data : Sicherheitsschaltung/
 safety board (0180-3030)

- Überladeschutzspannung/
 over charge voltage detection : 4.35V±25mV per cell
 Wiedereinschaltspannung/
 over charge release voltage : 4.15V±50mV per cell
 Entladeabschaltspannung/
 over discharge detection voltage : 2.4V±80mV per cell
 Wiedereinschaltspannung/
 over discharge release voltage : 3.0V±100mV per cell
 Nominale Lade/Entladestrom/
 nominal operating current : 5A
 Entlade Abschaltstrom/
 discharge cut off current : 12A±2A
 Kurzschlusschutz/
 short circuit protection : gegen äußeren Kurzschluss/
 against external short circuit
 Temperaturschalter/
 temperature switch : PTC : JK-P730 20V/7.3A at 25°C; 6.2A at 40°C
 MOSFET : im Pluszweig
 in positive path

Rückstellkriterium/
 release condition : Last trennen, Aktiv nach Anladen/
 cut load, release after charging up

Leiterplattenmaterial/
 pcb material : FR4
 Nettogewicht/
 net weight : 151g

Standards : CE



battery pack covered with 2 layers of blue shrinktube

Application range for inquiry		Allowable deviation general tolerances		Tolerance principle:		Model:		Material:	
		DIN ISO 2768-m		ISO 8015		Scale (DIN A2): 1:1		All dimensions in mm	
		2016	Date	Name		Drawing name			
		Drawn by	12.10.	JX		Li-Ion-10.9V-3500mAh-3S1P-PTC/LG with safetyboard			
		Approved by							
V2	cable length changed	16.01.18	DS			Drawing number		Sheet	
V1	change request DE-17-0071	14.11.17	DS			Part number		1/1	
V0	technical data corrected	20.12.16	JX			2447-3031-20			
Version	Change	Date	Name	Project: IS-206-0063		Replaced by:		Replacement through:	