

cell type: Li-Ion
cell size: 16340
built-in cell: round cell 850mAh

Conditions

nominal voltage: 3.6 V

capacity

nominal: 850 mAh discharge at 0.2C
 minimum: 830 mAh discharge at 0.2C
 780 mAh discharge at 1C
 ta: 20°C; EV(Discharge End Voltage): 2.75V

discharge

max. continuous discharge current: 1700 mA ta: 0...45°C
important: avoid cell temperature above 60°C
 discharge end voltage: ≥ 2.75 V (recommended)

external charge (at +/- poles)

charging method: CC - CV (Constant Current - Constant Voltage)

charge current: 170 mA at standard charge
 max. charge current: 850 mA at fast charge
 charge end voltage: 4.2 V ± 50mV

charge cut off

by time: 8 h at standard charge
 1.5...2.0 h at fast charge
 by current drop: 17 mA end current - cut off

charge via micro USB connector (with USB charger)

supply voltage: 5 V ± 0.25V
 charge current: ≤ 460 mA
 charge time: 2.5 - 3.0 h at 460mA charge

internal resistance: ≤ 150 mΩ at 1kHz, sine wave measurement according to IEC 896-2

energy: 3.06 Wh

protection functions

overcharge cut off voltage: 4.27 V ± 0.05V
 deep disch.cut off voltage: 2.4 V ± 0.1V
 overload cut off current: 3.0 A ± 1A

LED charge indicator

(w. micro USB charge) lights red during charge
 lights green end of charge; battery fully charged

life time expectance

(C>70% of min. capacity) ≥ 300 cycles at 0.5C charge/discharge rate

self discharge:

≤ 2 %/month at 20°C
 ≤ 5 %/month at 30°C
 ≤ 10 %/month at 40°C

ambient temperature range:

0...45 °C charge
 - 20...60 °C discharge
 - 20...25 °C storage max. 1year
 - 20...45 °C storage max. 3months

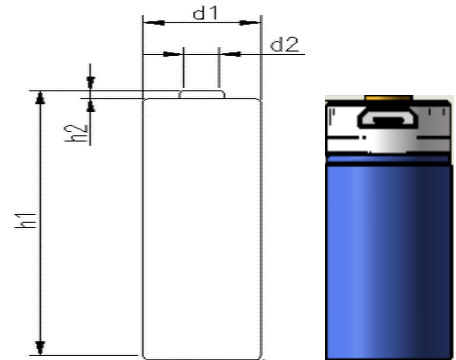
recommended SOC:

(SOC = state of charge) 30...50 % for long-time stoarge

mechanical specifications

cell dimensions (incl. sleeve)

diameter d1: 17.0 - 1 mm
 diameter d2: max. 9.6 mm
 height h1: 36.0 - 1 mm
 height h2: min. 1 mm
 weight: 19 ± 1.5 g



ANSMANN Specifications for model:	Protected 16340 Li-Ion Battery 3.6V 850mAh w. Micro USB Charge
data sheet no. / part no.	
supplier no.	704507
author / date	TG / 03.09.2020