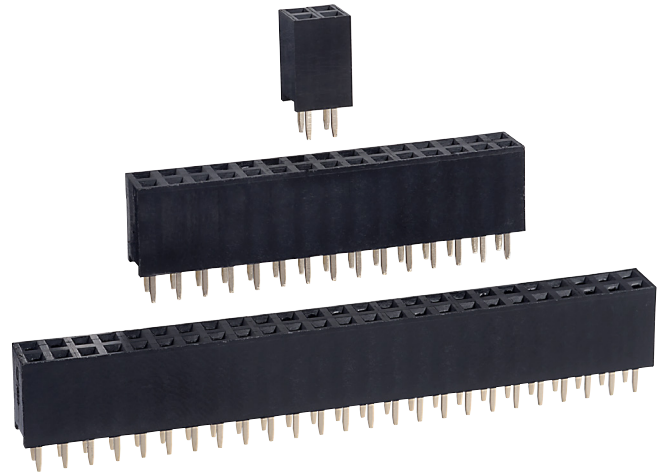
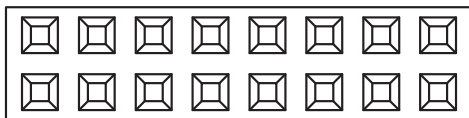


Notes:

1. Electrical characteristics
 - 1.1 Contact resistance: 20mΩ max. initial.
 - 1.2 Dielectric withstanding voltage: 600V AC(rms) for 1 minute
 - 1.3 Insulation resistance: 1000MΩ min.
 - 1.4 Current Rating: 3A
2. Environment characteristics
 - 2.1 Temperature range: -40°C to +105°C

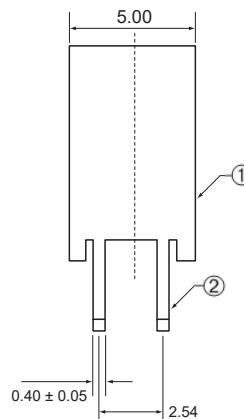
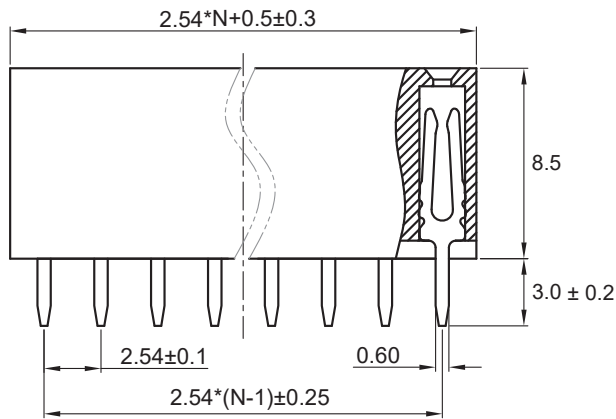


No.	Description	Material	Plating
1	Housing	Thermoplastic	UL 94 V-0
2	Contact	Copper Alloy	Gold Plated



Double row
N=No. of contacts/2

DUAL ROWS



Order code	Number of pins
19-0281	2
19-0282	3
19-0283	4
19-0284	5
19-0285	10
19-0286	15
19-0276	16
19-0287	20
19-0288	25

For further information on pricing, delivery, and long-term stock agreements please get in touch with your local business development contact, telephone our main office on **01206 838000** or email **Sales@Rapidonline.com**.