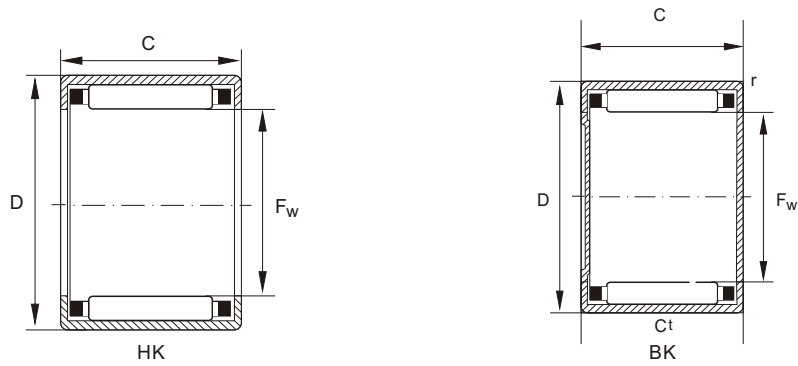


# SHELL TYPE NEEDLE ROLLER BEARINGS, OPEN END DESIGN



Shaft Diameter (mm)	Principal dimensions (mm)					Open end design		Closed end design	
	F <sub>w</sub>	D	C	C <sub>t</sub> min	r min	Bearing Number	Weight ≈ g	Bearing Number	Weight ≈ g
3	3	6.5	6	5.2	0.3	+HK 0306 TN	1.0	+BK 0306 TN	1.0
4	4	8	8	6.4	0.3	+HK 0408	2.0	+BK 0408	2.1
5	5	9	9	7.4	0.4	+HK 0509	2.0	+BK 0509	2.1
6	6	10	8	-	0.4	+HK 0608	2.1	-	-
	6	10	9	7.4	0.4	HK 0609	2.5	BK 0609	2.6
7	7	11	9	7.4	0.4	HK 0709	2.6	BK 0709	2.9
8	8	12	8	6.4	0.4	HK 0808	2.7	BK 0808	3.0
	8	12	10	8.4	0.4	HK 0810	3.0	BK 0810	3.4
9	9	13	8	-	0.4	HK 0908	3.0	-	-
	9	13	10	8.4	0.4	HK 0910	4.0	BK 0910	4.3
	9	13	12	10.4	0.4	HK 0912	4.6	BK 0912	4.9
10	10	14	10	8.4	0.4	HK 1010	4.1	BK 1010	4.3
	10	14	12	10.4	0.4	HK 1012	4.8	BK 1012	5.0
	10	14	15	13.4	0.4	HK 1015	6.0	BK 1015	6.2
12	12	16	10	8.4	0.4	HK 1210	4.6	BK 1210	5.2
	12	18	12	9.3	0.8	HK 1212	9.0	BK 1212	10.0
13	13	19	12	9.3	0.8	HK 1312	10.0	BK 1312	11.0
14	14	20	12	9.3	0.8	HK 1412	10.5	BK 1412	12.0
15	15	21	12	9.3	0.8	HK 1512	11.0	BK 1512	13.0
	15	21	16	13.3	0.8	HK 1516	15.0	BK 1516	17.0
	15	22	22	-	0.8	° HK 1522	20.0	-	-
16	16	22	12	9.3	0.8	HK 1612	12.0	BK 1612	14.0
	16	22	16	13.3	0.8	HK 1616	16.0	BK 1616	18.0
	16	23	22	19.3	0.8	° HK 1622	22.0	° BK 1622	24.0
17	17	24	12	-	0.8	HK 1712	12.0	-	-
18	18	24	12	9.3	0.8	HK 1812	13.0	BK 1812	15.0
	18	26	16	13.3	0.8	HK 1816	18.0	BK 1816	20.0
20	20	26	10	-	0.8	HK 2010	12.0	-	-
	20	26	12	-	0.8	HK 2012	14.0	-	-
	20	26	16	13.3	0.8	HK 2016	19.0	BK 2016	22.0
	20	26	20	17.3	0.8	HK 2020	24.0	BK 2020	27.0
	20	26	30	-	0.8	° HK 2030	35.0	-	-
22	22	28	10	-	0.8	HK 2210	13.0	-	-
	22	28	12	9.3	0.8	HK 2212	15.0	BK 2212	18.0
	22	28	16	13.3	0.8	HK 2216	21.0	BK 2216	24.0
	22	28	20	-	0.8	HK 2220	26.0	-	-

TN = Plastic cage, Limiting working temperature: +120°C (Continuous working)

+Without oil hole

° With double-row oil holes are of standard type