

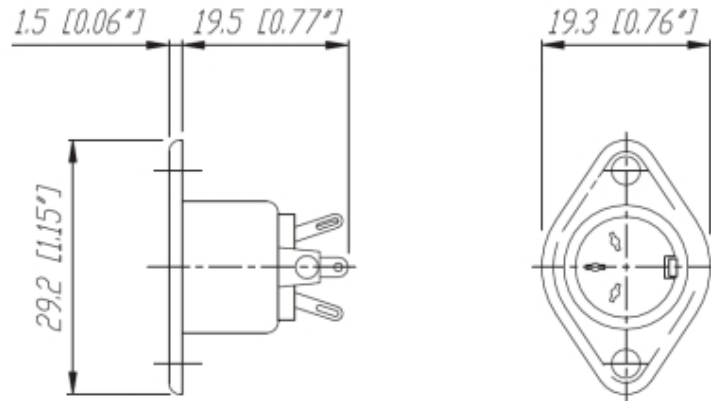
DIN Connectors

Order code	Manufacturer code	Description
20-0312	NYS324	NYS324 3 PIN CHASSIS MOUNT DIN SOCKET RC

DIN Connectors	Page 1 of 2
The enclosed information is believed to be correct, Information may change without notice due to product improvement. Users should ensure that the product is suitable for their use. E. & O. E.	Revision A 20/02/2007

NYS324

DIN female chassis connector, 3-pole, silver plated contacts



Electrical

Contact resistance	< 10 mΩ
Dielectric strength	0,5 kVdc
Rated current per contact	2 A

Mechanical

Insertion force	≤ 24 N
Withdrawal force	> 3 N
Lifetime	1000 mating cycles

Material

Contact plating	gal 2μm Ag
Contacts	CuSn6
Insert	PBT
Shell	STEEL gal 2 μm Ni plated

Environmental

Solderability	Complies with IEC 68-2-20
Temperature range	-20 °C to +70 °C