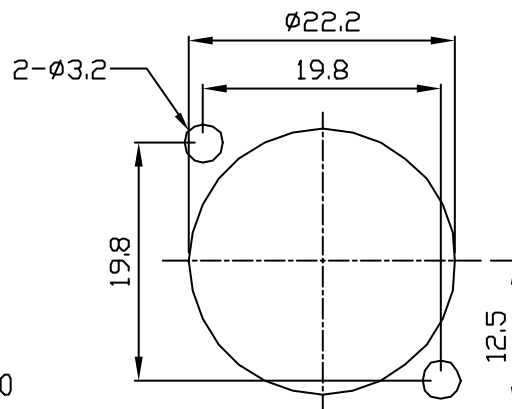
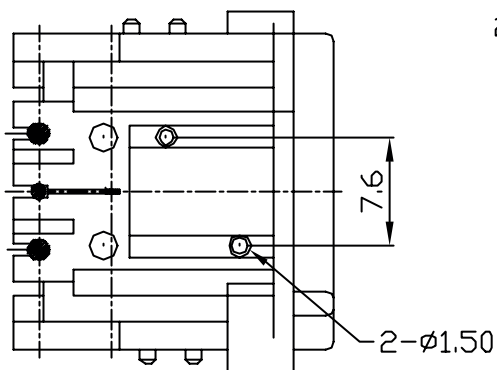
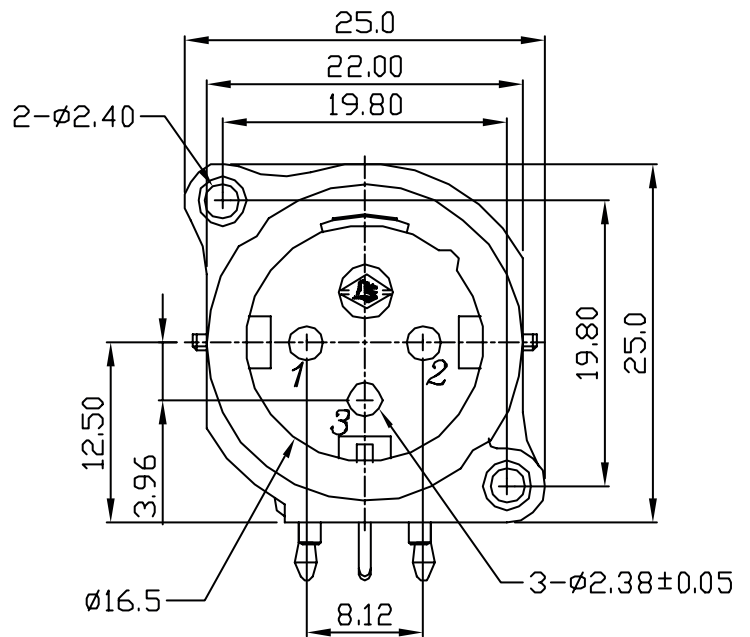
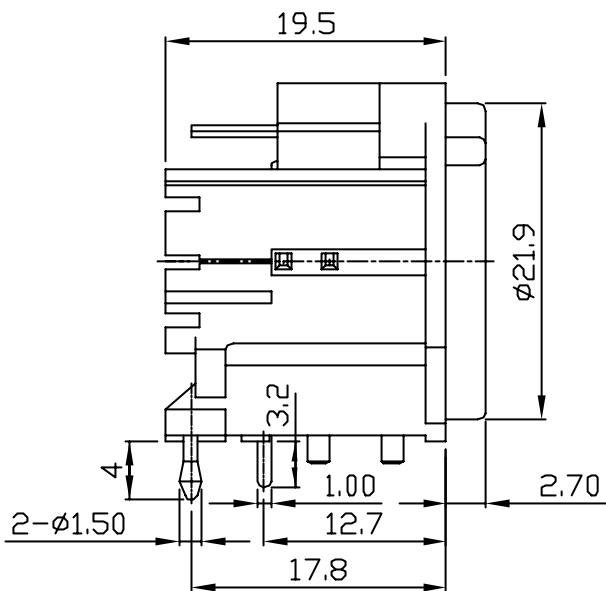




No	Part Name	Qty.	Material	Plated	Colour
1	Sleeve	1	P.B.S	Silver	
2	Pin	3	Brass	Gold 2μ	
3	Push	1	SK7	Nickel	
4	Body	1	PA66-94HB/G30		Black



PANEL CUT OUT(±0.05)
(FRONT SIDE)

