

## Touchproof Connectors

Order code	Manufacturer code	Description
20-0835	NAC3FCA	A-TYPE LOCKING MAINS PLUG (RC)
20-0840	NAC3MPA	A TYPE LOCKING MAINS SOCKET (RC)
20-0845	NAC3FCB	B TYPE LOCKING MAINS PLUG (RC)
20-0850	NAC3MPB	B TYPE LOCKING MAINS SOCKET (RC)

Touchproof Connectors	Page 1 of 4
The enclosed information is believed to be correct, Information may change 'without notice' due to product improvement. Users should ensure that the product is suitable for their use. E. & O. E.	Revision A 04/07/2003

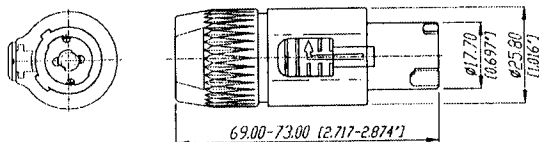
## PowerCon® Locking 3-pole Mains Connectors

### NEUTRIK® Locking 3-pole Mains Connectors

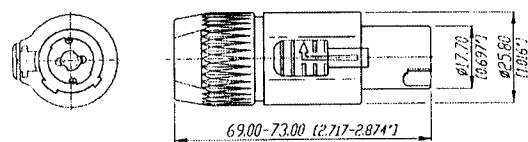
#### Features

- 3-pole connection system with contacts for line, neutral and pre-mating safety ground conductors
- Meets all prevailing safety standards
- Colour coded A and B versions for Power In or Power Out with identifying keyways
- Easy handling with the excellent quicklock system
- NEUTRIK® unique chuck type strain relief
- Reliable and extremely robust
- Easy to assemble
- Cable connectors have solid contacts with screw-type terminals
- Chassis types are fast and reliable to wire with flat quick-connect terminations (FASTON)
- Multiple contact finger for highest connecting integrity
- Contacts are designed to prevent damage from arcing when disconnected under load

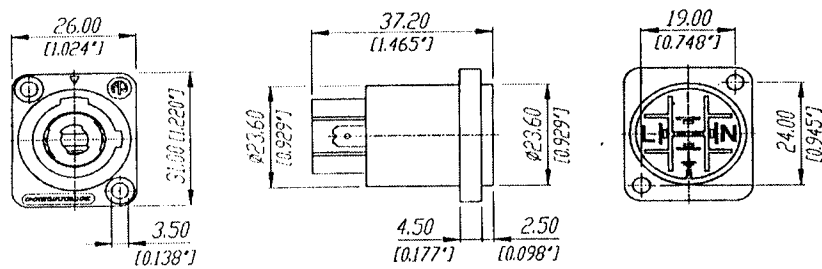
NAC 3 FCA



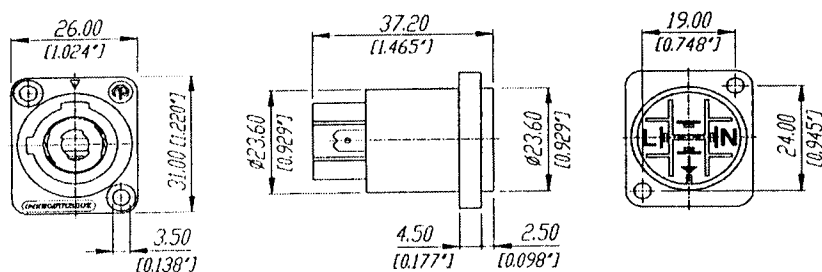
NAC 3 FCB



NAC 3 MPA



NAC 3 MPB



## **Technical Data**

SEV approved (No. 96.1 10096), UL recognised (E 135070), VDE certified (6360)

## **Electrical**

Rated Current	: 20 A rms @ wire size 2.5mm <sup>2</sup>
Rated Voltage	: 4240 V pp
Contact Resistance	: ≤ 3mΩ after 5000 insertion-withdrawal operations
Insulation Resistance:	
- initial	: > 2 x 10 <sup>9</sup> Ω
- after damp heat test	: > 10 <sup>8</sup> Ω
Creepage distance	: according to IEC 664-1
Safety Ground	: Premating

## **Mechanical**

Retention Method	: Quicklock with securing lever
Cable Anchorage	: NEUTRIK® chuck principle
Cable OD Range	: 5-15 mm
Cable Retention Force	: ≥ 220 N, depending on cable diameter and material

### **Wiring:**

- Cable: screw-type terminals (use with supplied ferrules for strands) or soldering  
Max. wire size/contact: 2.5 mm<sup>2</sup> / 14 AWG
- Chassis: flat tabs for FASTON 0.187" x 0.02" (4.8 mm x 0.5 mm) or soldering

## **Materials**

Housing	: PA 6.6 30% GR
Insert (FC part)	: PABT 20% GR
Contacts	: ZnAl4Cu1 / CuSn8 4 μm / 20 μm Ag plated
Securing Lever	: ZnAl4Cu1, CuNi plated
Bushing	: PA 6.6 15% GR
Chuck	: POM
Spring Element	: neoprene ring
Temperature Range	: -30°C to +80°C

## **Coding**

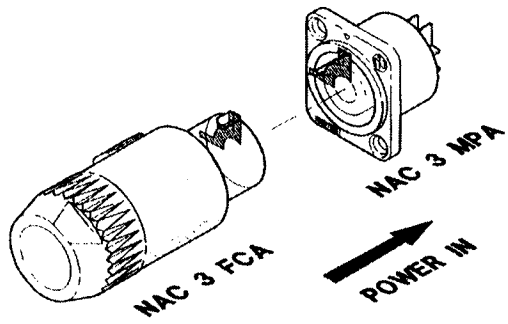
With the two non-interchangeable types of connectors (A-type, B-type) it is impossible to produce a short circuit. Mating connectors (combination) are identified by mechanical keyways and by colour.

## **Information**

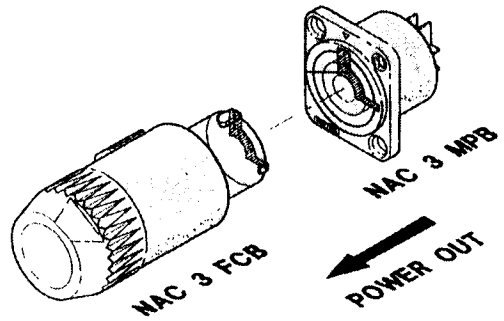
<b>Neutrik Code</b>	<b>Description</b>	<b>Body Colour</b>
NAC3FCA	Type A Plug	Blue
NAC3MPA	Type A Chassis Socket	Blue
NAC3FCB	Type B Plug	Grey, with Blue bushing
NAC3MPB	Type B Chassis Socket	Grey

**Type-A (POWER INLET)**

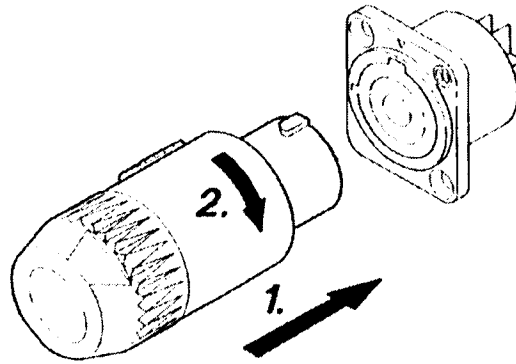
**Type-B (POWER OUTLET)**



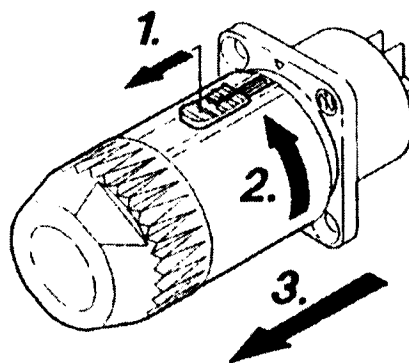
Combination for Power Inlet – Type A



Combination for Power Outlet – Type B



Engagement



Separation