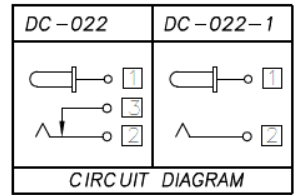
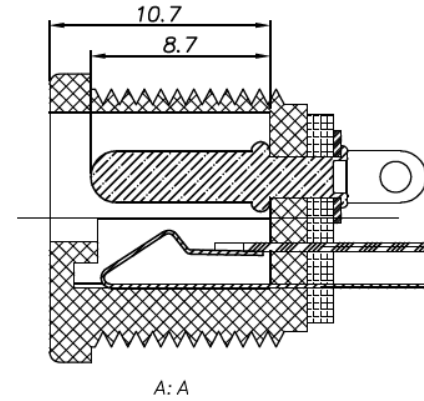
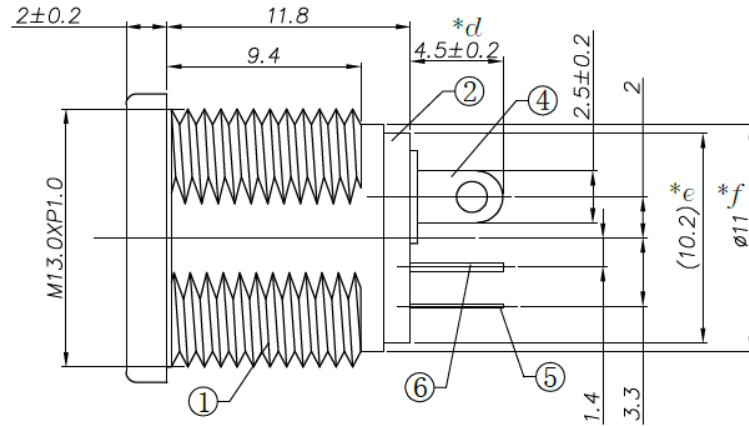
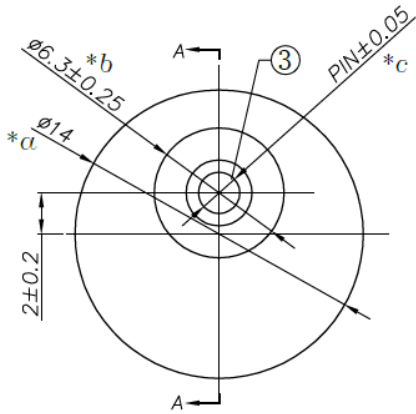
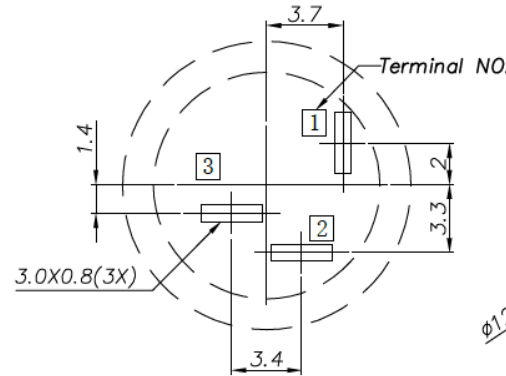
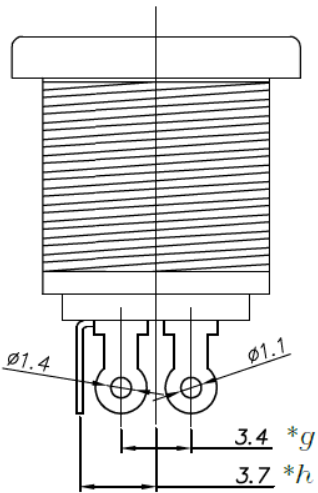


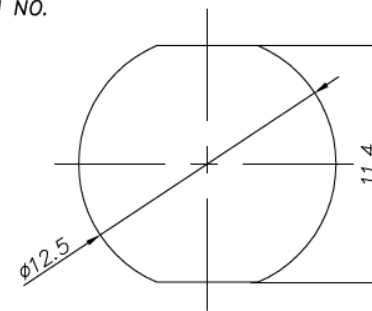
DC-022 (20-0988)



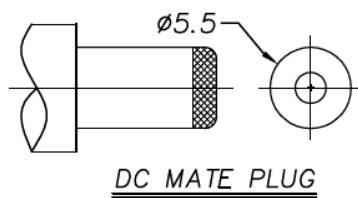
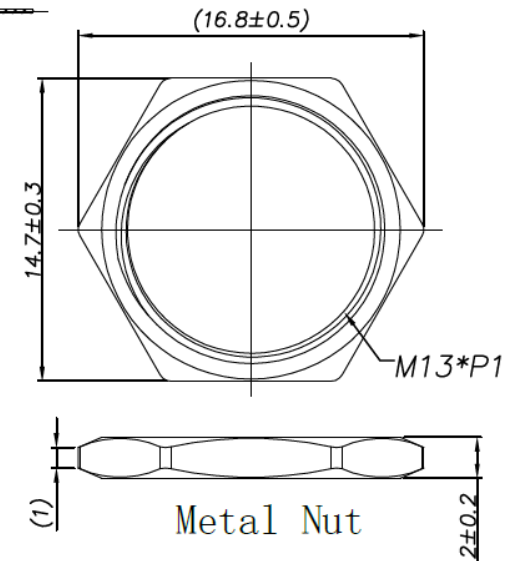
□: TERMINAL NO.



RECOMMENDED P. C. B. LAYOUT
UNSPECIFIED TOLERANCE: ± 0.05
(BOTTOM VIEW)



PANEL MOUNT



DC MATE PLUG

Model No.	✓		
PIN	$\phi 2.0$	$\phi 2.35$	$\phi 2.5$