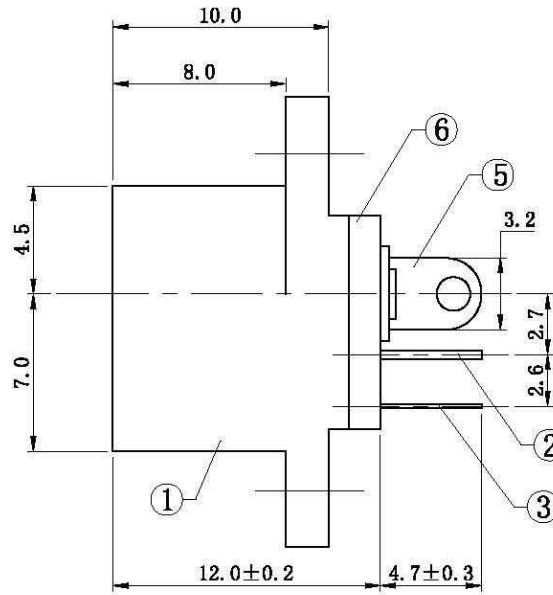
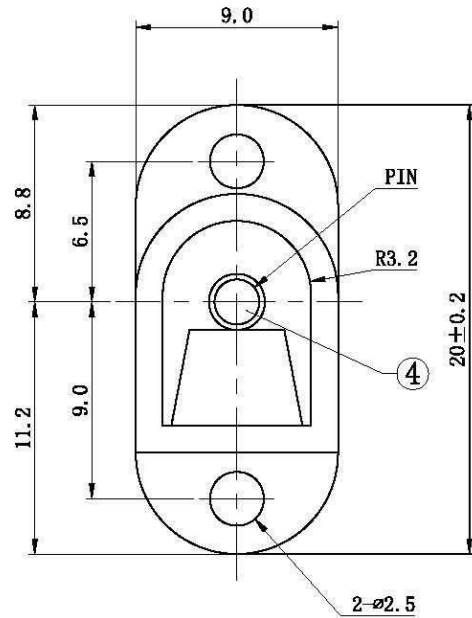
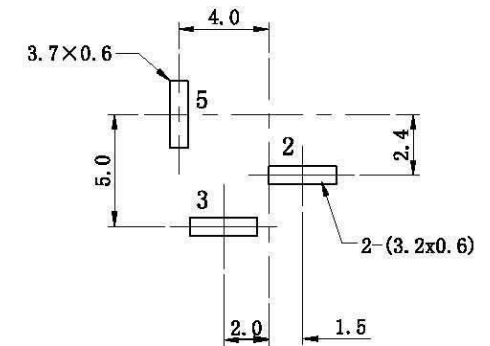


# ROHS

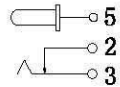
2002/95/EC



**P. C. B LAYOUT  
TOP VIEW**



**SCHEMATIC**



PIN	ø2.0	ø2.5	
APPD.	✓		

6	COVER	1	PBT	
5	CONTACT FOOT	1	BRASS	Sn-Plating
4	PIN	1	H59 BRASS	Ni-Plating
3	SPRING	1	STEEL	Sn-Plating
2	FLAT PIECE	1	H62 BRASS	Sn-Plating
1	HOUSING	1	PBT	
NO.	DESCRIPTION	QTY	MATERIAL	PLATING
UNIT: MM	TYPE:	MODEL NO:	PAPER NO: A4	
	DC JACK	DC-016	PAGE 1 OF 1	
			TOLERANCE	ANGLES
			±0.15	±1.5°
			SCALE	VER
			3:1	1
DESIGNER BY:	Liu Xiaoheng			
CHECK BY:	Liu Xiaoheng			
APPROVED BY:	Wang Jingli			
DATE :	2009-7-23			