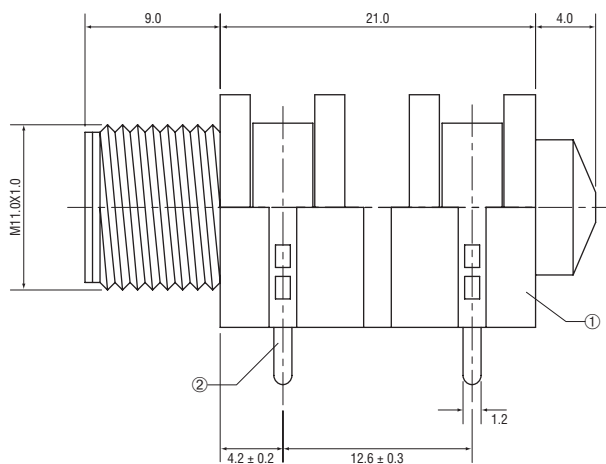
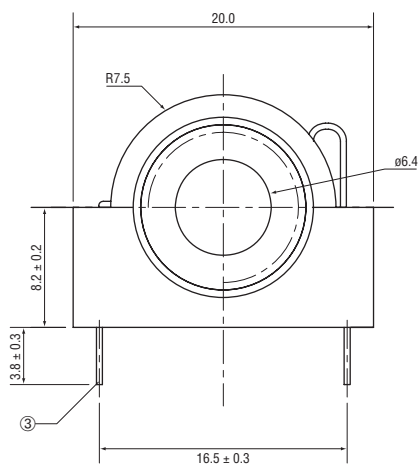


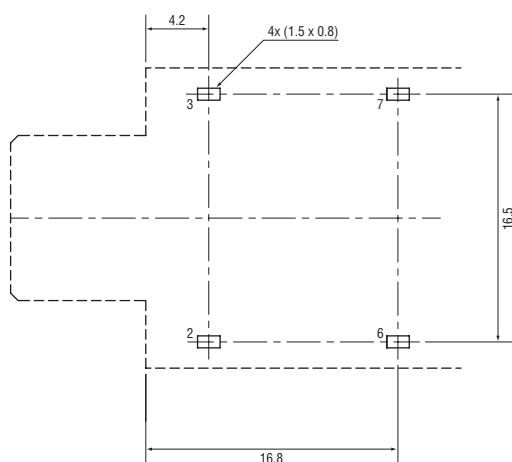
6.35mm 2-pole PCB Mounting Standard Jack Socket

Order code: **20-0992**

Number	Description	Quantity	Material	Plating
1	Housing	1	PBT	mA
2	Spring	3	Phosphor Bronze	Ag-Plating
3	Contact Foot	3	Brass	Ag-Plating



PCB Layout
Top view



Schematic

