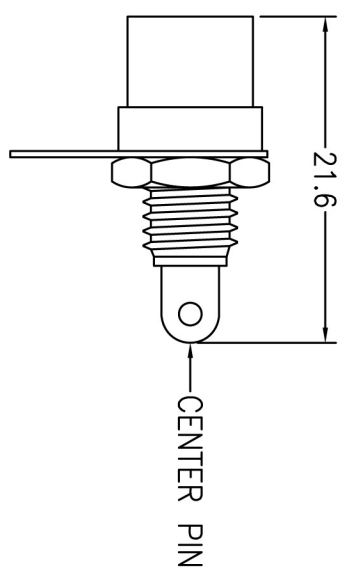
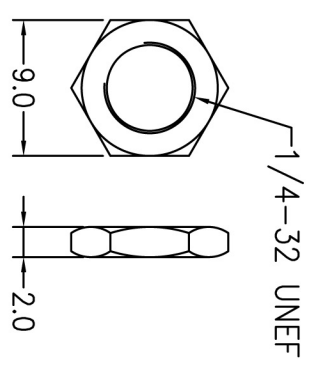
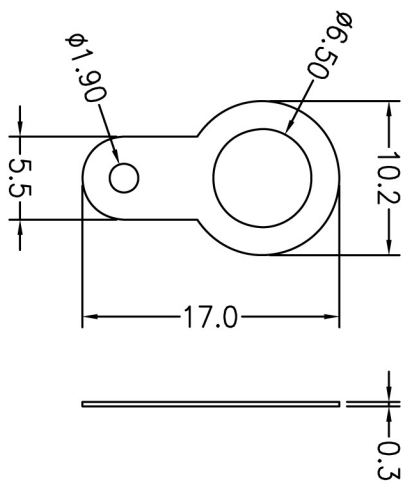
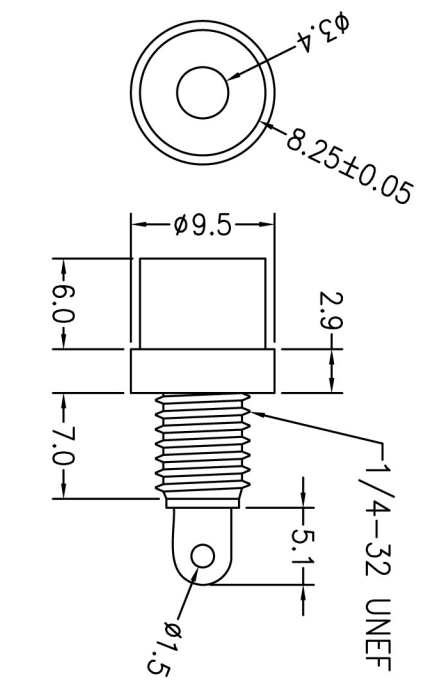


Phono Connectors

Order code	Manufacturer code	Description
20-1450	n/a	RED GOLD PLTD PHONO SOCKET (RC)

Phono Connectors	Page 1 of 2
The enclosed information is believed to be correct, Information may change without notice due to product improvement. Users should ensure that the product is suitable for their use. E. & O. E.	Revision A 20/02/2007



ASSEMBLY

SPECIFICATION:

1. RCA PHONE JACK, CHASSIS MOUNT TYPE

P/N	INSULATOR COLOR
PS-2315R	BLACK
PS-2325R	WHITE
PS-2335R	RED
PS-2345R	GREEN
PS-2355R	BLUE
PS-2375R	YELLOW

3. MATERIAL:

BODY, SOLDER TAG, NUT & CENTER PIN: BRONZE, GOLD PLATED

INSULATOR: ABS

4. ROHS COMPLIANT

DIMENSIONS ARE IN		TOLERANCES ARE		MATERIAL	
mm [INCH]		FRACTIONS DECIMALS ANGLES		FINISH COLOR	
MOLD NO.		x ± 0.20 [0.008]			
PS-23XX		.xx ± 0.12 [0.005]			
RCA PHONE JACK			P/N PS-23XX		
GOLD			PROJECT NO.		
			SCALE 2/1		
			SIZE A4		
			SHEET 1 OF 1		
			DRAWN FROS		
			DATE 08/01/2006		