

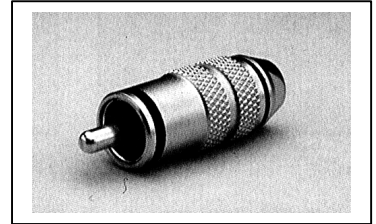
Phono Connectors

Order code	Manufacturer code	Description
20-1480	n/a	RED PROFESSIONAL PHONO PLUG
20-1485	n/a	BLACK PROFESSIONAL PHONO PLUG

Phono Connectors	Page 1 of 2
The enclosed information is believed to be correct, Information may change 'without notice' due to product improvement. Users should ensure that the product is suitable for their use. E. & O. E.	Revision A 04/07/2003

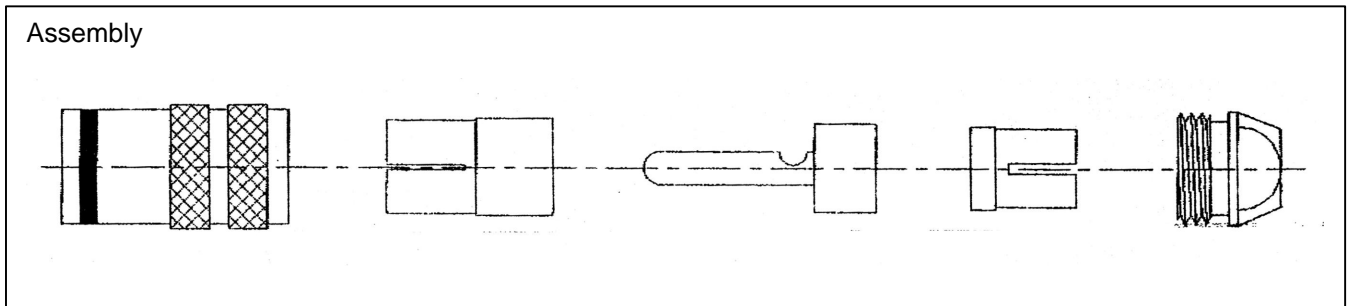
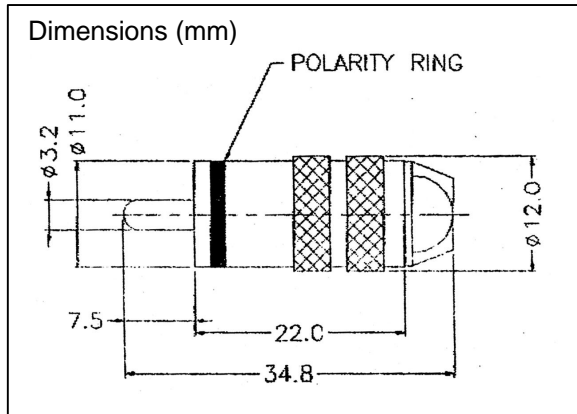
Professional Phono Plugs

Professional Phono Plugs with attractive brushed silver finish. Features compression type Collet earth fixing and Gold plated contacts throughout. Split signal pin provides long lasting positive contact



Specification

Contact : Brass, Gold plated
 Handle : Brass
 Finish : Brushed Silver
 Insulator : Teflon



Ref No.	Description
PP-0430	Red Gold Plated Professional Phono Plug
PP-0410	Black Gold Plated Professional Phono Plug