



# Push-pull connectors female fixed socket CCM series



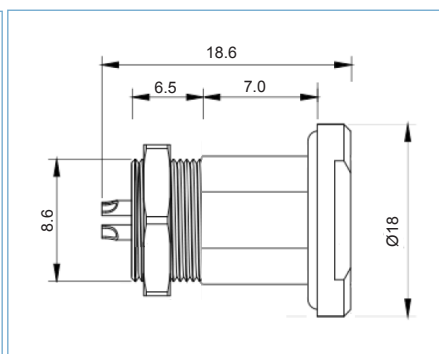
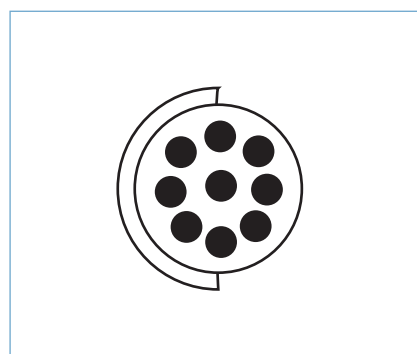
## CCM1S1/09 9 pole

- Premium range of circular connectors
- IP68 sealed using vacuum technology (when connected and using environmental cable clamp)
- Tough, high performance interconnection solution
- Compact panel mounting design
- Ideal for harsh and extreme environments
- Suitable for broadcasting, autosport, military, rail, marine, security, industrial and agricultural applications
- Key coded to prevent misconnection
- Will not disconnect when the cable is under load or stress
- Tool slots for secure and tight mounting
- Tested to IEC 60512-3-5a



| PART NO.  | DESCRIPTION         | POLES | SERIES     |
|-----------|---------------------|-------|------------|
| CCM1S1/09 | Female fixed socket | 9     | CCM series |

| SPECIFICATION           |   |
|-------------------------|---|
| Shell style/model       | DEU type fixed socket, female contact   |
| Codes                   | Code 1  |
| Contact type            | Solder type   |
| Contact diameter        | 0.5mm   |
| Max. stranded conductor | AWG 26-28   |
| Max diameter            | 0.43mm  |
| Vtest (contact-shell)   | 800V(AC)<br>1300V(DC)   |
| Vtest (contact-contact) | 1000V(AC)<br>1800V(DC)  |
| Rated current           | 1.7A  |
| Rated voltage           | ≤160V   |
| Mechanical operation    | 5000 mating cycles  |
| Housing material        | Brass (natural chrome plated) shell and collet nut, nickel plated brass latch sleeve and mid pieces |
| Insulator               | PPS   |
| Contacts                | Brass (gold plated)   |
| Humidity (max)          | <=95% [at 60°C /140°F]  |
| Vibration               | 15g [10 Hz - 2000 Hz]   |
| Shock resistance        | 100g [6 ms]   |
| Salt spray corrosion    | >72 hr  |
| Climatical category     | 50/175/21   |
| Shielding (min)         | 75 dB (10 MHz)  |
| Shielding (min)         | 40 dB (1 GHz)   |
| IP rating               | IP68 (when connected and using environmental cable clamp)   |



## KEY FEATURES

Key coded | Deep panel mounting socket | Face slots for tightening with a tool

## ACCESSORIES

Metal and rubber caps for sockets

| PART NO. | DESCRIPTION                      |
|----------|----------------------------------|
| CCT1     | Camcric metal cap for sockets A1 |



| PART NO. | DESCRIPTION                       |
|----------|-----------------------------------|
| CCT2     | Camcric rubber cap for sockets A1 |



## ASSOCIATED PRODUCTS

CCA1P1/A09 - CCA Series A1 size plug page 106



002  
PCB TERMINAL  
BLOCKS

081  
TERMINAL STRIPS

095  
WIRE TO BOARD  
CONNECTORS

100  
CIRCULAR  
CONNECTORS

151  
IP68 CONNECTORS

158  
INTERFACE  
MODULES AND  
RELAY BASES