



002

PCB TERMINAL
BLOCKS

081

TERMINAL STRIPS

095

WIRE TO BOARD
CONNECTORS

100

CIRCULAR
CONNECTORS

151

IP68 CONNECTORS

158

INTERFACE
MODULES AND
RELAY BASES

Push-pull connectors cable mounted plug CCA1 series



CCA1P1/A03 3 pole

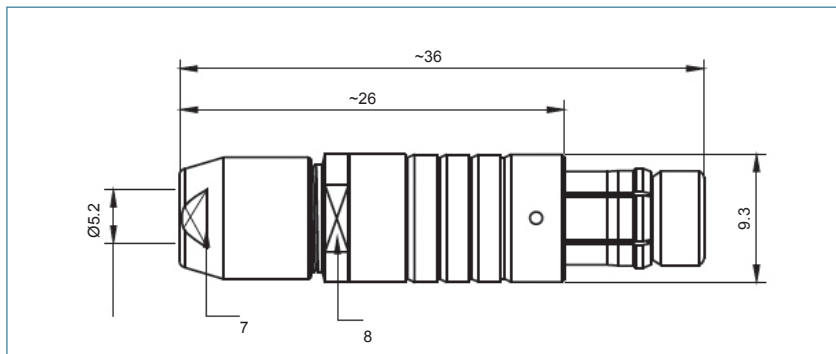
- Premium range of circular connectors
- IP68 sealed using vacuum technology (when connected and using environmental cable clamp)
- Tough, high performance interconnection solution
- Ideal for harsh and extreme environments
- Suitable for broadcasting, motorsport, military, rail, marine, security, industrial and agricultural applications
- Key coded to prevent misconnection
- Will not disconnect when the cable is under load or stress
- Tested to IEC 60512-3-5a

CCA1P1/A03



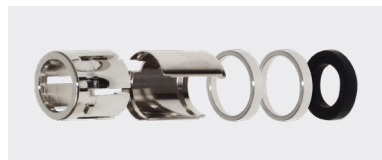
PART NO.	DESCRIPTION	POLES	SERIES
CCA1P1/A03	Cable mounted plug	3	CCA series

SPECIFICATION	
Shell style/model	Cable mounted straight plug, male contact
Codes	Code 1
Contact type	Solder type
Contact diameter	0.9mm
Max. stranded conductor	AWG 21-22
Max diameter	0.79mm
Vtest (contact-shell)	1300V(AC) 1800V(DC)
Vtest (contact-contact)	1300V(AC) 1600V(DC)
Rated current	8.2A
Rated voltage	≤250V
Mechanical operation	5000 mating cycles
Housing material	Brass (natural chrome plated) shell and collet nut, nickel plated brass latch sleeve and mid pieces
Insulator	PPS
Contacts	Brass (gold plated)
Humidity (max)	<=95% [at 60°C /140°F]
Vibration	15g [10 Hz - 2000 Hz]
Shock resistance	100g [6 ms]
Salt spray corrosion	>72 hr
Climatical category	50/175/21
Shielding (min)	75 dB (10 MHz)
Shielding (min)	40 dB (1 GHz)
IP rating	IP68 (when connected and using environmental cable clamp)

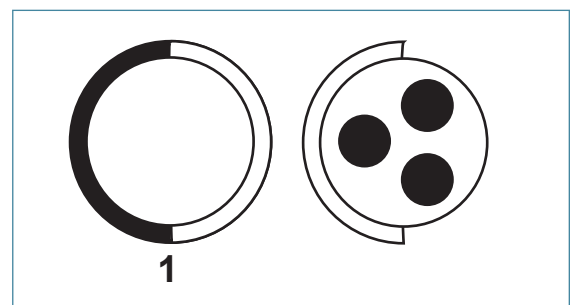


This product should be used with the following cable clamps:

PART NO.	WIRE RANGE
CCVIC/CC	2.6 - 3.1mm
CCVIC/CD	3.1-3.6mm
CCVIC/CE	3.6-4.1mm
CCVIC/CF	4.1-4.3mm



Non IP68 cable clamps also available



ACCESSORIES

Metal cap for plugs

PART NO.	DESCRIPTION
CCA12	Camcirk metal cap for plug A1



ASSOCIATED PRODUCTS

CCM1S1/03	-CCM series A1 size socket	page 122
CB1S1/03	-CCB series A1 size socket	page 131
CCE1S1/03	-CCE series A1 size socket	page 140
CCT1S1/03	-CCT series A1 size socket	page 146