

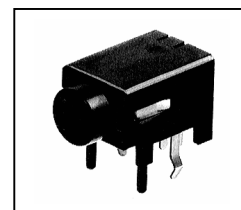
## Jack Connectors

Order code	Manufacturer code	Description
20-1650	n/a	STEREO UNSWITCHED HORIZ. SOCKET (RC)

Jack Connectors	Page 1 of 2
The enclosed information is believed to be correct, Information may change 'without notice' due to product improvement. Users should ensure that the product is suitable for their use. E. & O. E.	Revision A 04/07/2003

## Professional 3.5mm Jack Socket

### Jalco 3.5 Diameter MJ3 Series



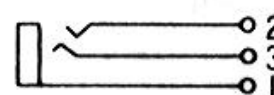
### Specifications

Description : Stereo Unswitched Horizontal PCB Mounting Socket  
 Jalco Ref No. : YKB21-5130

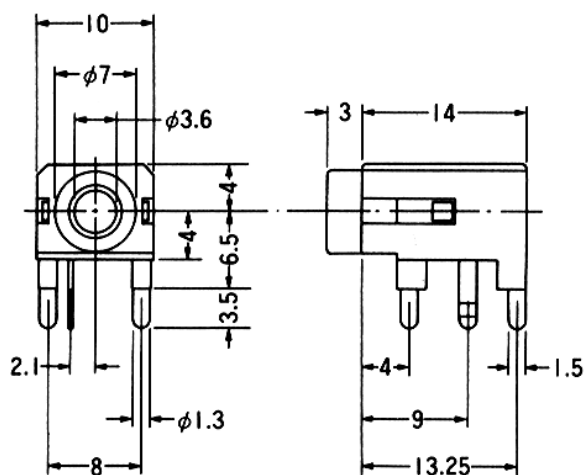
### Material

Housing : Black ABS  
 Earth Contact : C5191R (Phosphor Bronze) t0.3  
 Ring Contact : C5191R (Phosphor Bronze) t0.3  
 Tip Contact : C5191R (Phosphor Bronze) t0.3

### Contact Arrangement



### Dimensions



### PCB Hole Layout

