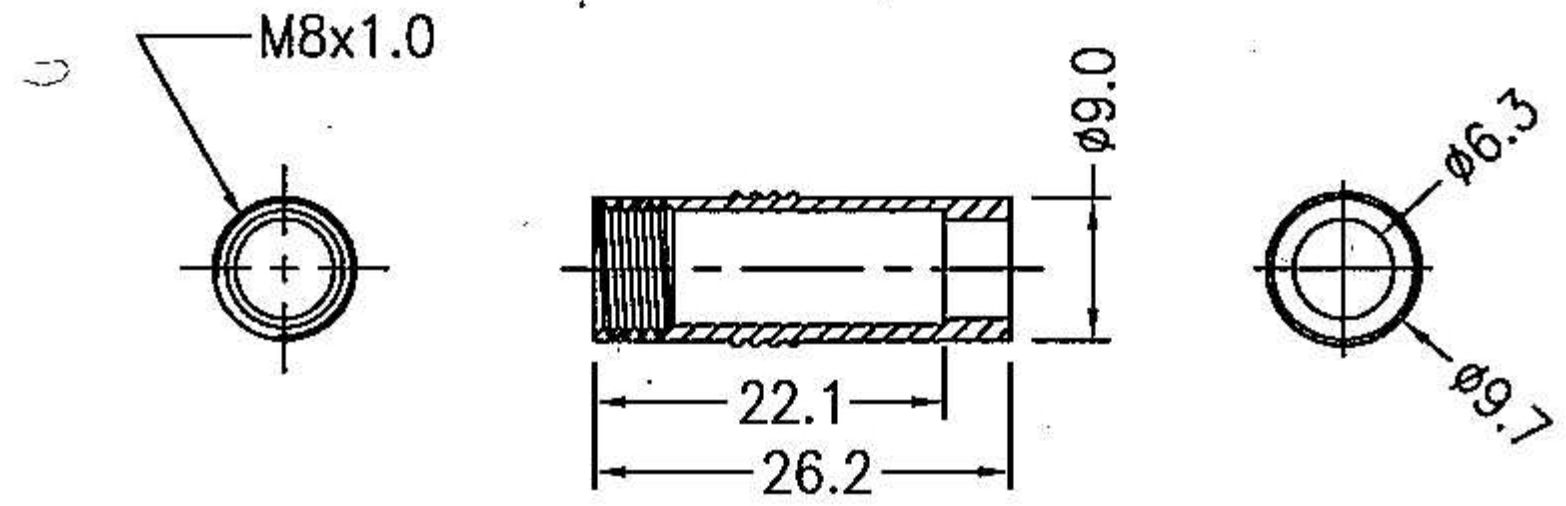
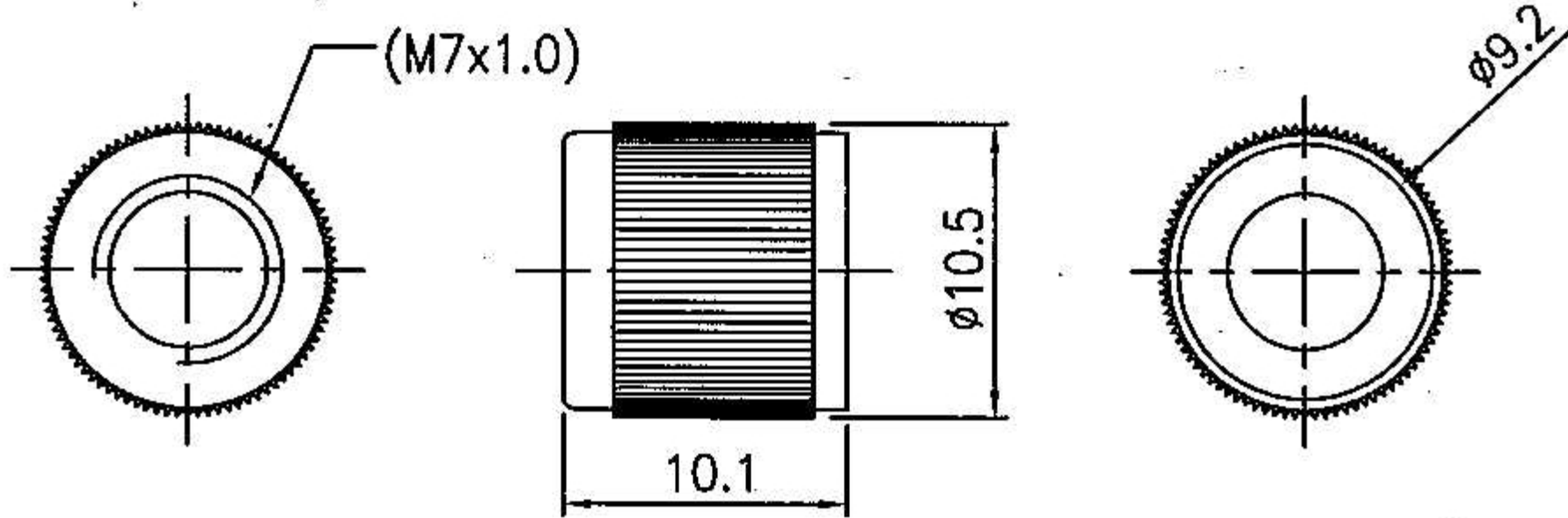


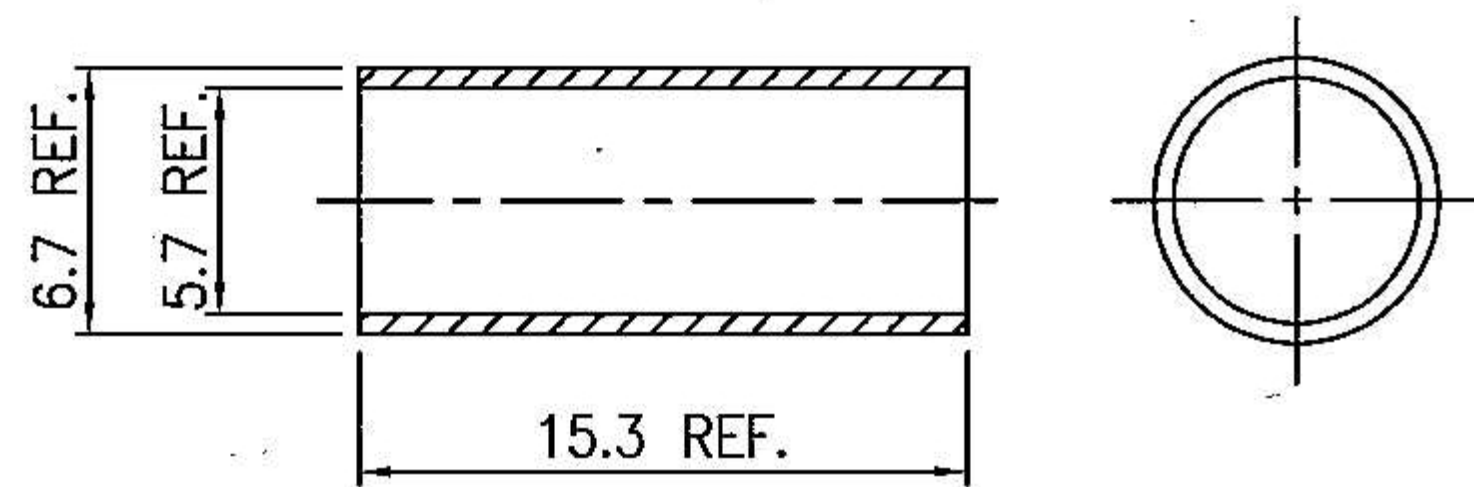
BODY
SCALE=2:1



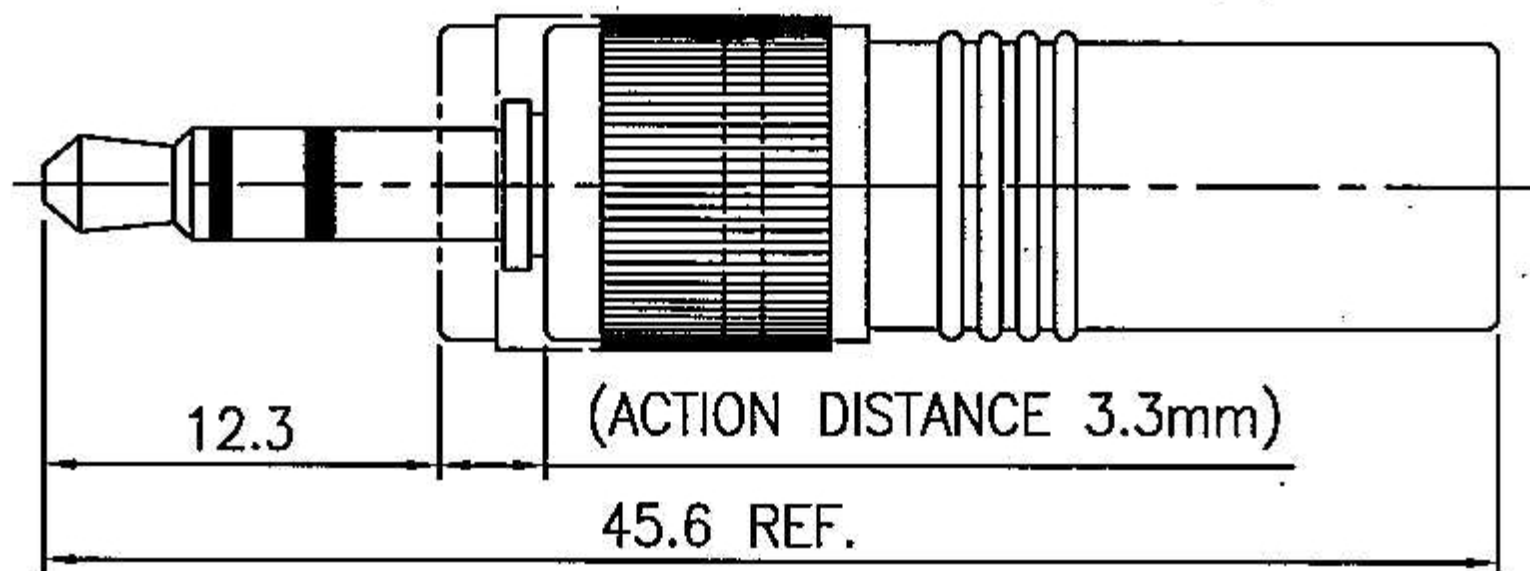
HANDLE
SCALE=1:1



LOCK RING
SCALE=2:1



TUBE
SCALE=2.5:1



ASSEMBLY
SCALE=2:1

MATERIAL:

1. CENTER CONTACT: BRASS, GOLD-PLATED
2. RING: POM, BLACK
3. INSULATOR: NYLON, BLUE
4. TUBE: PE
5. HANDLE AND LOCK RING: BRASS, BLACK-PLATED